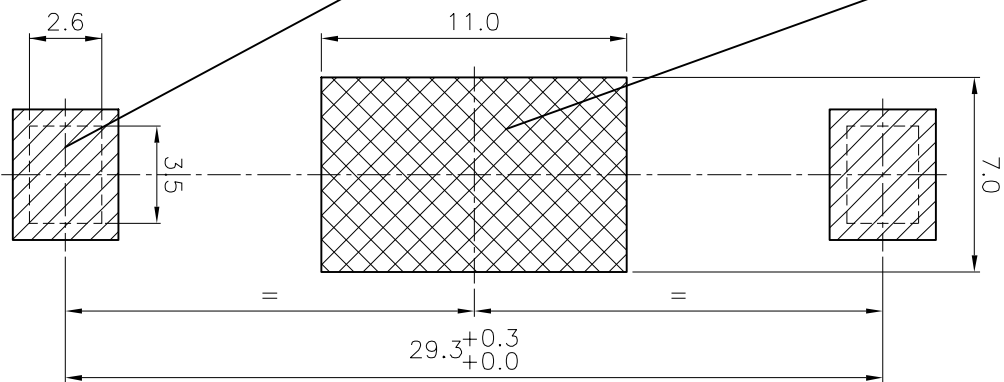


Zone for Soldering* 2

Zone for adhesive fixation



- SPECIFICATIONS :**
1. RATING : DC 3V , 120mA
 2. INTER - CONTACT RESISTANCE : 100m OHM MAX. AT BOTH THE POSITIVE AND NEGATIVE TERMINALS WHEN MEASURED BETWEEN THE TERMINALS OF THE CR2032 AT 1KHz WITH LOW DRAINAGE (100mA MAX.)
 3. INSULATION RESISTANCE : 100M OHM MIN. WITH DC 500V APPLIED BETWEEN THE POSITIVE AND NEGATIVE TERMINALS.
 4. VOLTAGE DURABILITY : NO DEGRADATION WITH DC 500V APPLIED FOR ONE MINUTE BETWEEN THE POSITIVE AND NEGATIVE TERMINALS.
 5. Unless other specified, tolerance is $\pm 0.2\text{mm}$

3.	NEGATIVE CONTACT	1	STAINLESS STEEL 301	TIN	0.15 t
2.	POSITIVE CONTACT	1	STAINLESS STEEL 301	TIN	0.15 t
1.	HOUSING		Liquid Crystal Polymer	L.C.P	UL94V-0
P/N	PART NAME	Q'TY	MATERIAL	PLATING	REMARKS
VERSION	APPROVAL BY	CHECKED BY		DRAWD BY	UNITS
A2				to 2009.08.25	mm
REVISION	PROJECTION	PRODUCT	DRAWING NO.	SCALE	
		BATTERY HOLDER	BH-004-LCP	5/1	
UNITOP ELECTRONICS CO., LTD.					