

REV	DESCRIPTION	MDF'D	APP'D	DATE

NOTES (UNLESS OTHERWISE SPECIFIED):
 1. 成品參考重量:
 2. "▲" MARK IS QC INSPECTION
 3. 平面度任2點 0.10mm Max

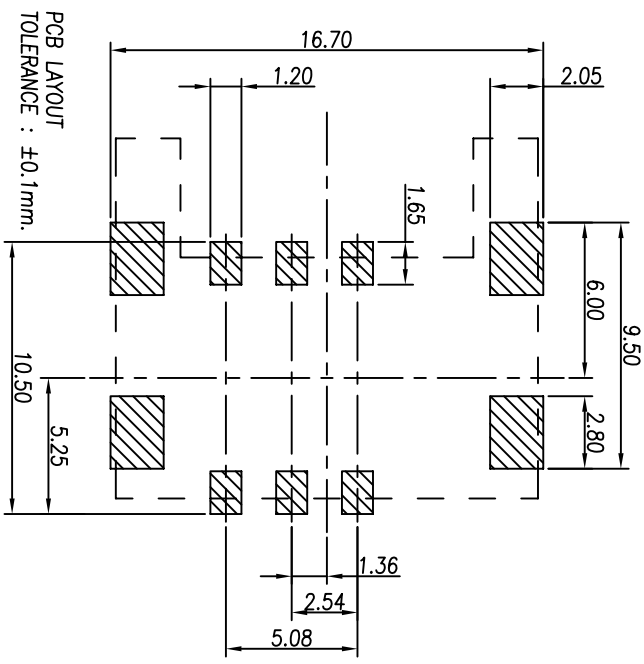
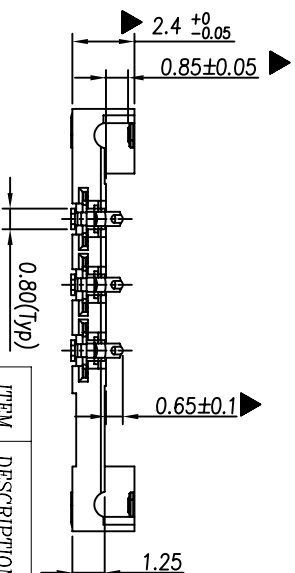
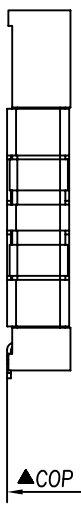
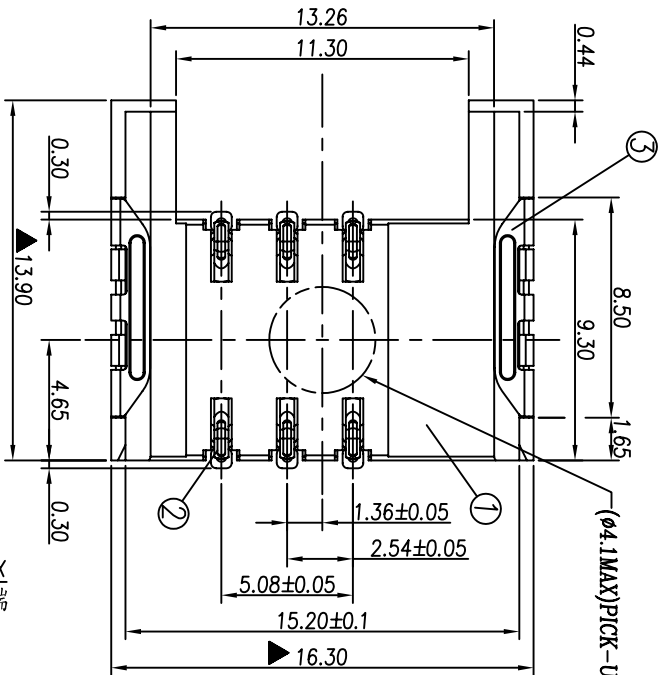
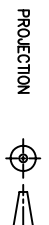
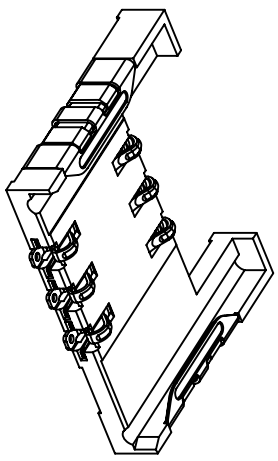


TABLE (BOM)

ITEM	DESCRIPTION	MATERIAL	FINISH	Q'TY	NOTES
1	HSG	LCP, UL94V-0		1	
2	CONTACT PIN	PHOSPHOR BRONZE, t=0.15mm.	PLATING : UNDER-PLATE 50u" MIN NICKEL ALL OVER, PLATED 15u" MIN GOLD IN CONTACT SURFACE.	6	
3	HOOK	PHOSPHOR BRONZE, t=0.15mm.	PLATING : UNDER-PLATE 50u" MIN NICKEL ALL OVER.	2	



UNLESS OTHERWISE SPECIFIED SURFACE FINISH ALL OVER		M.T.L.		TITLE		PRODUCT NO.		
INCH	TOLERANCES	HEAT TREAT	COATING OR PLATING	JESS - LINK PRODUCTS CO., LTD.		SIM CARD 6 POS CONN		
0.0	±0.01	0	0	D.R. 陳彥宏 2009/08/10 CHK Wally APV/D Heuber		SCALE	SIZE	
0.00	±0.005	0.0	±0.25			S:1	A3	
0.000	±0.001	0.00	±0.15			NO.	DET. NO	
0.000	±0.001	0.000	±0.05			UCNR2056D006-0		REV.
0.00	±0.001	0.00	±0.05			C		SHT NO. 1 OF 3

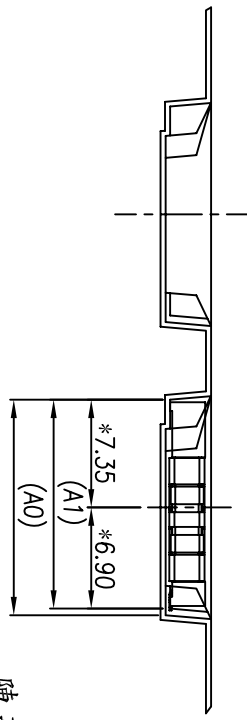
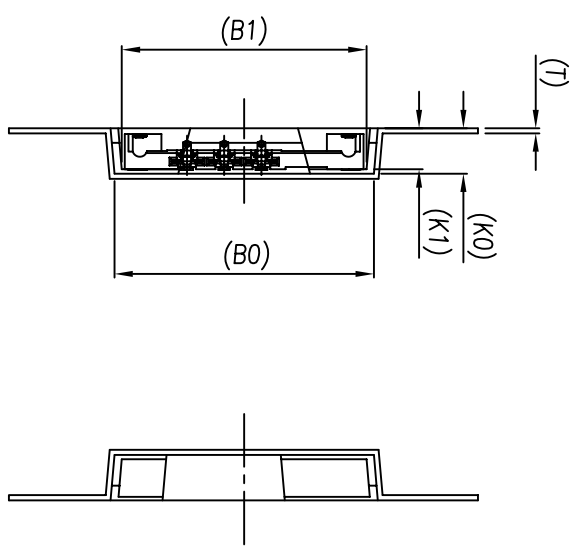
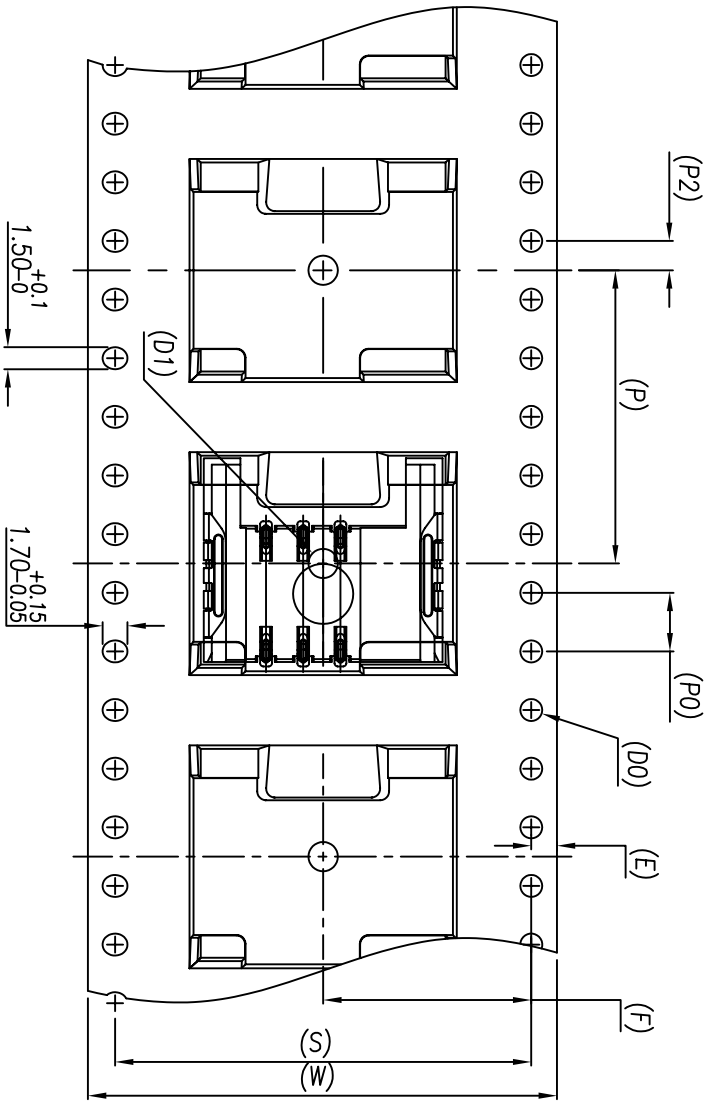


APPROVED BY: _____

CUSTOMER SIGNATURE _____

DATE: _____

REV.	DESCRIPTION	MD'F'D	APP'D	DATE



陳彥宏

※本案P2值以"所標示尺寸"的中心線為準

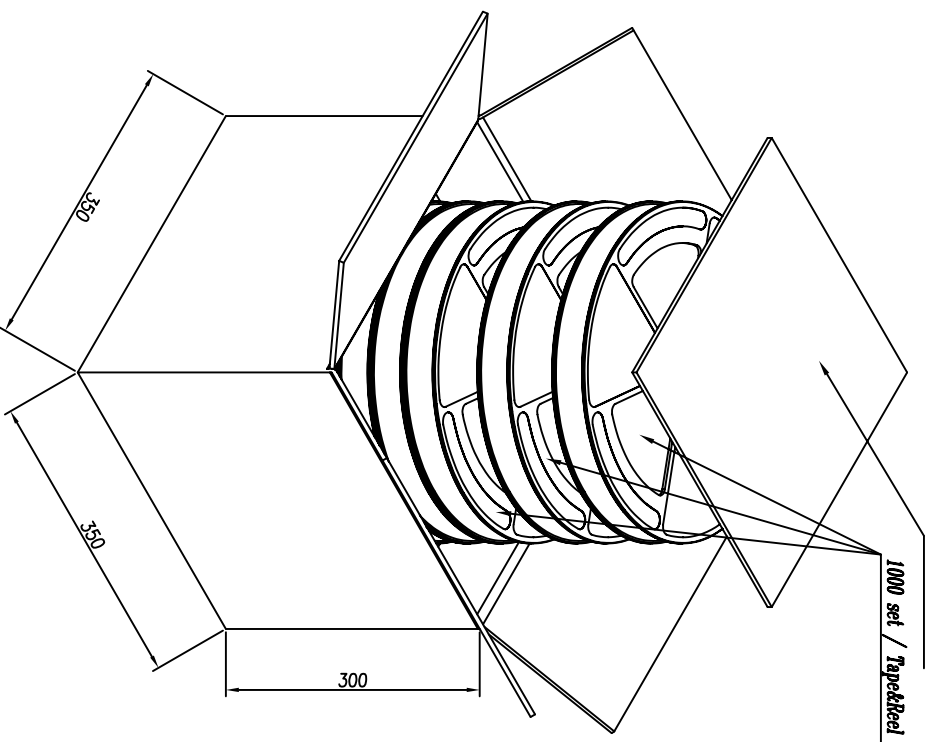
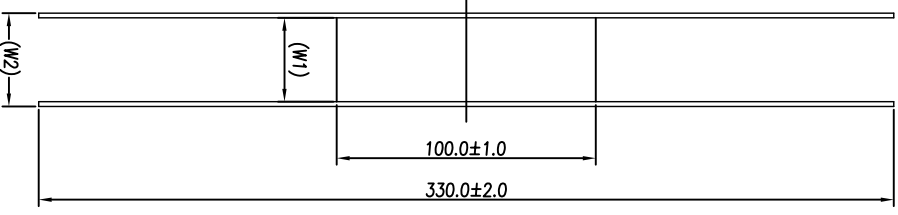
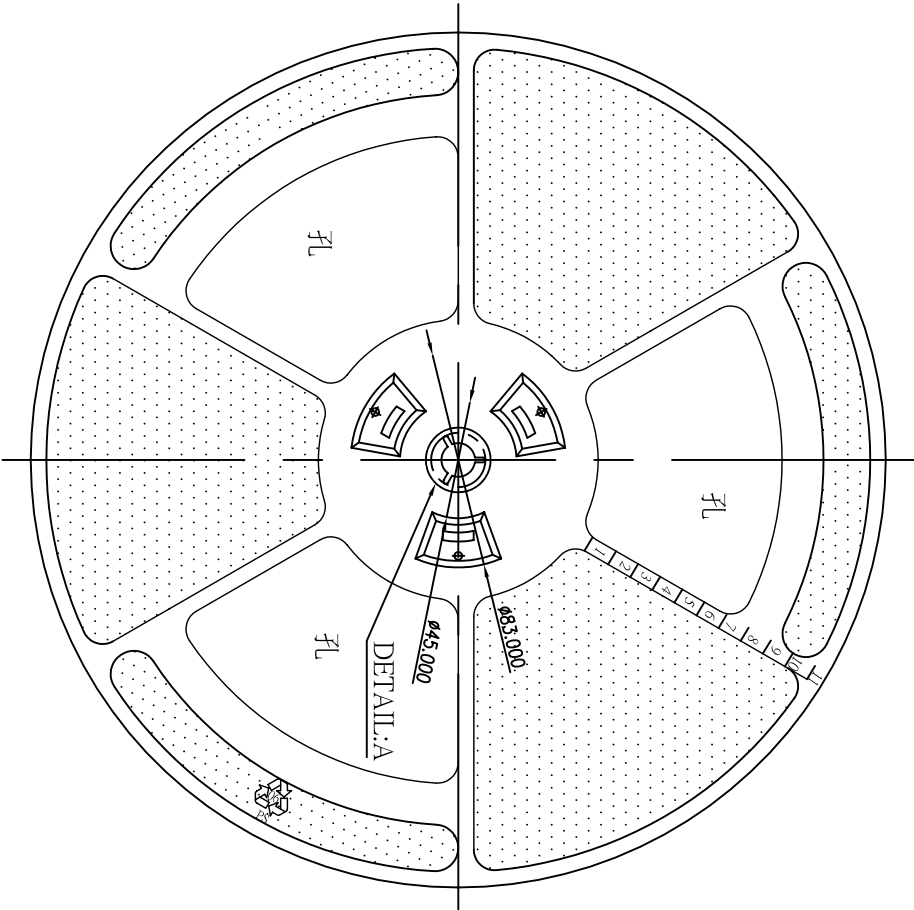
W	P	P0	A0	B0	17.70±0.15
32.00±0.30	20.00±0.10	4.00±0.10	14.70±0.15	B0	17.70±0.15
28.40±0.10	P0	4.00±0.10	14.25±0.15	B1	16.70±0.15
1.75±0.10	P2	2.00±0.10	A2	B2	
14.20±0.10	D0	$\phi 1.50 \pm 0.10$	K0	3.10±0.15	
0.35±0.05	D1	$\phi 2.00$ MIN	K1	2.80±0.15	COLOR : BK/ANT

JESS - LINK
PRODUCTS CO., LTD.

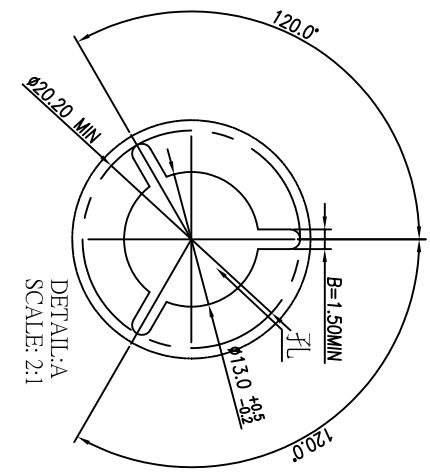
PROJECTION		UNLESS OTHERWISE SPECIFIED SURFACE FINISH ALL \checkmark OVER
HEAT TREAT	COAT'G OR PLAT'G	INCH TOLERANCES METRIC
REC'D:	D.R. 陳彥宏 2005/08/10	0.0 ± 0.07
CHK Wally	SCALE 2:1	0.00 ± 0.01
APP'D Heuber	SIZE A4	0.000 ± 0.005
	NO. UCNR2056D006-0	0.000 ± 0.001
	DET. NO.	0.00 ± 0.01
	REV.	0.00 ± 0.05
	SH,T NO. 2 OF 3	0.00 ± 0.1

CUSTOMER SIGNATURE	
APPROVED BY:	
DATE:	

REV.	DESCRIPTION	MDF'D	APP'D	DATE



NOTE:
 PACKING QUANTITY:
 1000 set/Tape&Reel * 7 layers/Carton
 7000 SET/Carton



APPROVED BY: _____
 DATE: _____
 CUSTOMER SIGNATURE _____

PROJECTION	UNLESS OTHERWISE SPECIFIED SURFACE FINISH ALL OVER	INCH TOLERANCES	METRIC
	0.0	± 0.07	0
	0.00	± 0.01	0.0
	0.000	± 0.005	0.000
	0.0000	± 0.001	0.0000
	0.07	$\pm 1^{\circ}$	0.07
	0.00	$\pm 0.5^{\circ}$	0.00

MTL:	HEAT TREAT	COATING OR PLATING	REQ'D:
DR:	陈彦宏	2009/09/10	CHK: Wally
APVD:	Heuber		

Tape Width	W1	W2	COLOR
32mm	32.4 \pm 2.0 mm	38.4mm MAX	黑色

JESS - LINK
PRODUCTS CO., LTD.

TITLE: SIM CARD CONN OR LAYOUT
 TAPE&REEL PACKING

SCALE: 1:2	SIZE: A3	NO.:	UCNR2056D006-0	REV.:	C
PRODUCT NO. OR LAYOUT				SHT NO. 3OF3	