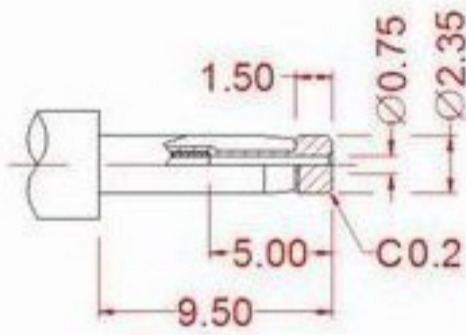
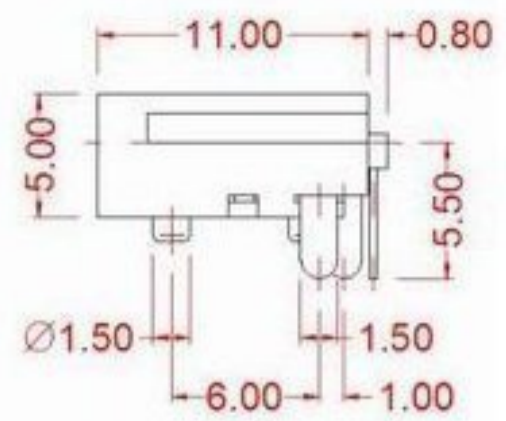
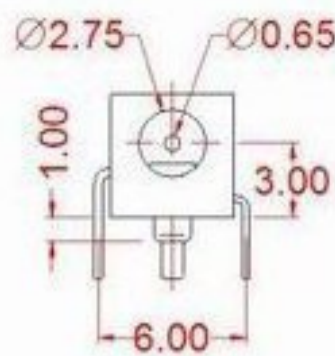
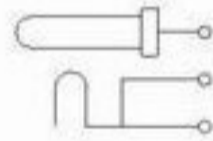


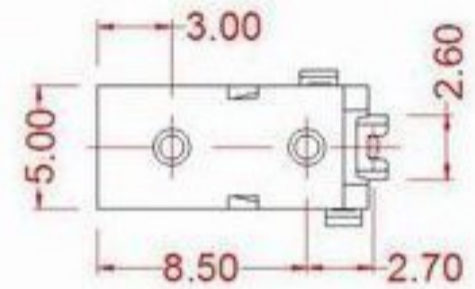
**PIERCING PLAN**



**MATE PLUG**



**SCHEMATIC**



PART NO.	PIN DIA.
DC-240-001-00	Ø0.65mm

## DC Power Jack

### DC-240-001-T0

Type	General Specification	
Electrical	Rating	DC3.15V @2A
	Contact Resistance	30mV or less
	Insulation Resistance	100MV or more, @ DC 500V
	Dielectric Voltage	AC 500V 50~60Hz, @1minute
Mechanical	Mate Plug	EIAJ & 2.35mm (Outer Diameter)
	Insertion Force	3N~20N
	Withdrawal Force	3N~20N
Durability	Life of Jacks	5,000 cycles (15-18 cycles / minute)
	Operating temperature	-25°C ~ 70°C
	Type of Soldering	Wire Soldering