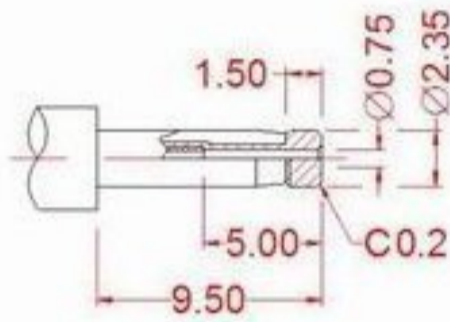
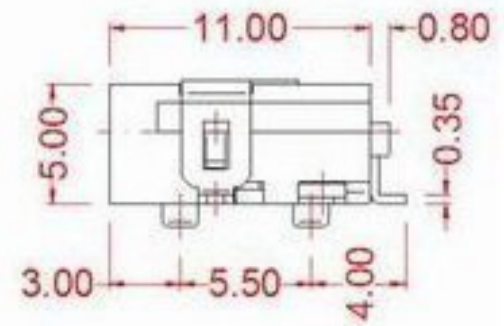
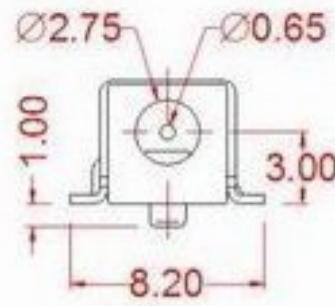
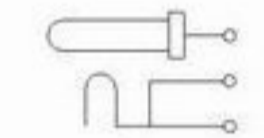


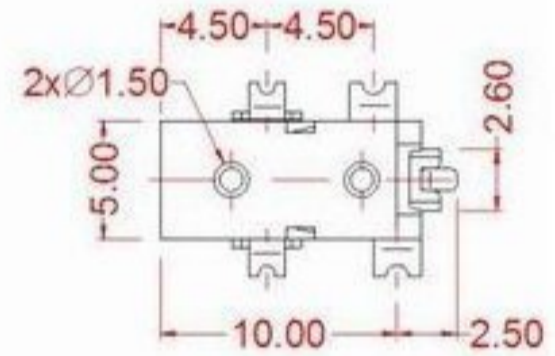
PIERCING PLAN



MATE PLUG



SCHEMATIC



PART NO.	PIN DIA.
DC-241-L01-00	Ø0.65mm

DC Power Jack

DC-241-L01-00

Type	General Specification	
Electrical	Rating	DC3.15V @2A
	Contact Resistance	30mV or less
	Insulation Resistance	100MV or more, @ DC 500V
	Dielectric Voltage	AC 500V 50~60Hz, @1minute
Mechanical	Mate Plug	EIAJ & 2.35mm (Outer Diameter)
	Insertion Force	3N~20N
	Withdrawal Force	3N~20N
Durability	Life of Jacks	5,000 cycles (15-18 cycles / minute)
	Operating temperature	-25°C ~ 70°C
	Type of Soldering	Manual or Reflow Soldering are available