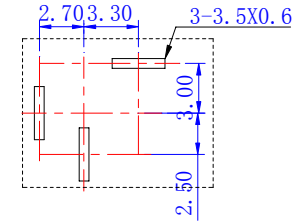
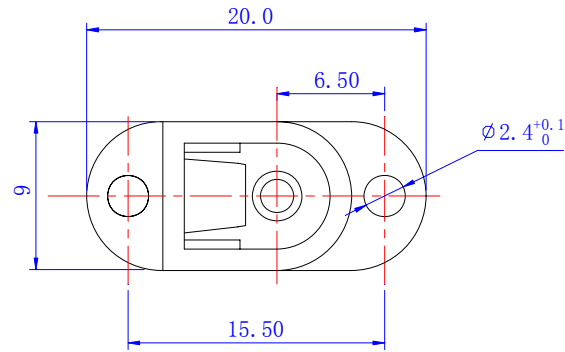
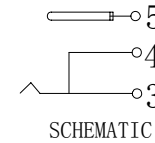
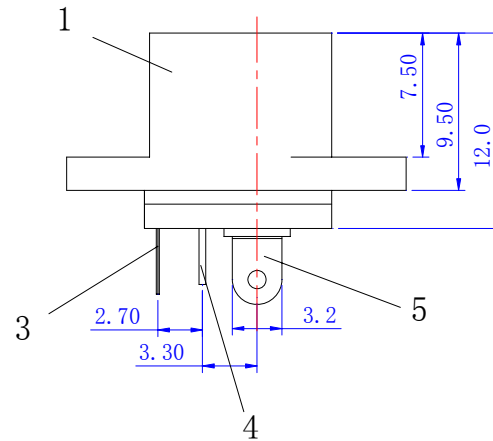
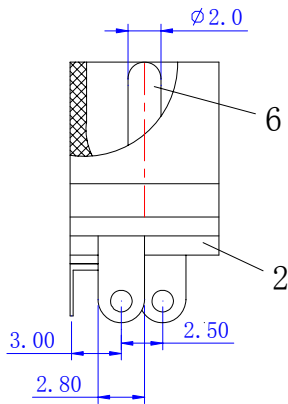


NO:	PARTCILR	BY	DATE
REVISIONS			



PCB LAYOUT



6	PLUG PIN	HPb59-1	1	Ni PLATED
5	TERMINAL-C	H65-0.3Y	1	Ag PLATED
4	TERMINAL-B	H65-0.3Y	1	Ag PLATED
3	TERMINAL-A	QSn6.5-0.1-0.3Y	1	Ag PLATED
2	COVER	PBT-G30 (VIRGIN)	1	BLACK
1	HOUSE	PBT-G30 (VIRGIN)	1	BLACK
NO:	PART NAME	MATERIAL	QTY	FINISHING

MODEL NO: DC-08	TOLERANCE: $\pm 0.2$	DRAWN BY:
TYPE: DC JACK	UNIT: mm	CHECHED BY:
MATERIAL NO:	SCALE: NO SCALE	APPROVED BY:

