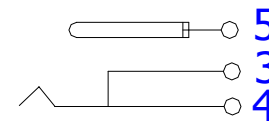
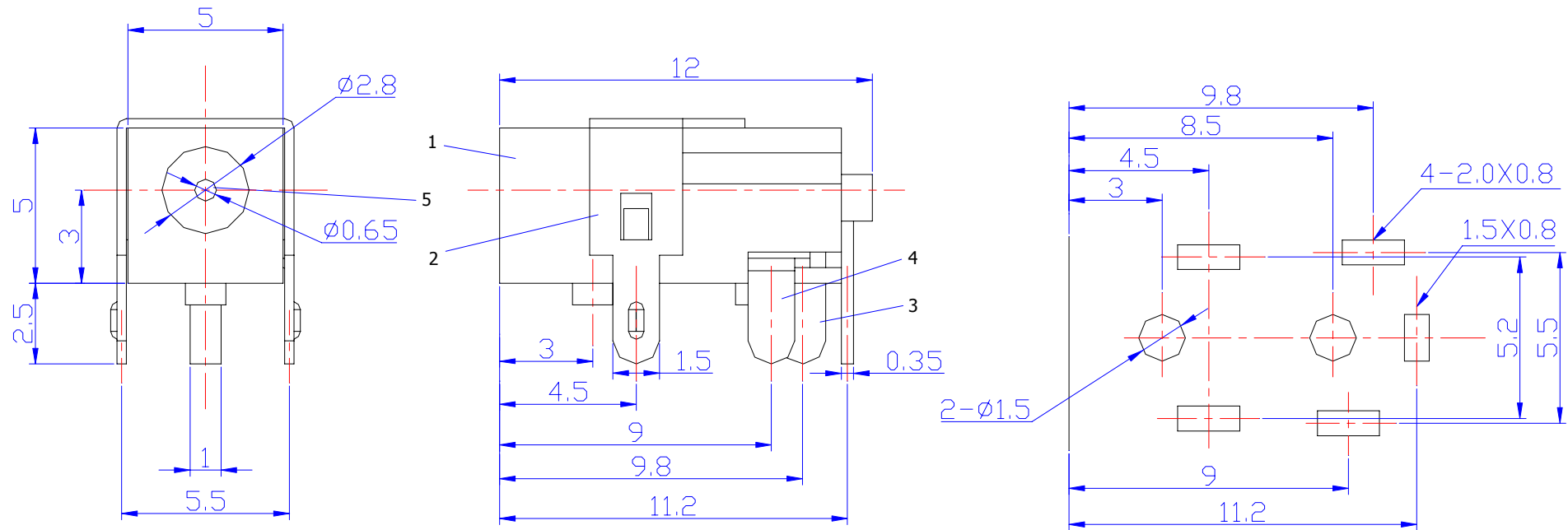


NO:	PARTCULR	BY	DATE
REVISIONS			



**SCHEMATIC**

NO.	PART NAME	MATERIAL	QTY	FINISHING
5	SHAFT	H65- $\phi 0.65$	1	Ag- PLATED
4	TERMINAL- B	QSn6.5-0.1 $\sigma = 0.25$	1	Ag- PLATED
3	TERMINAL- A	H65-0.35Y	1	Ag- PLATED
2	COVER	H65-0.3Y	1	CuSn- PLATED
1	HOUSE	PBT- G30	1	BLACK

MODEL NO:	DC-11	TOLERANCE:	$\pm 0.2$	DRAWN BY:	WangZhengJiang 06.02.23
TYPE:	DC JACK	UNIT:	mm	CHECKED BY:	
MATERIAL NO:		SCALE:	NO SCALE	APPROVED BY:	