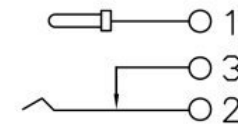
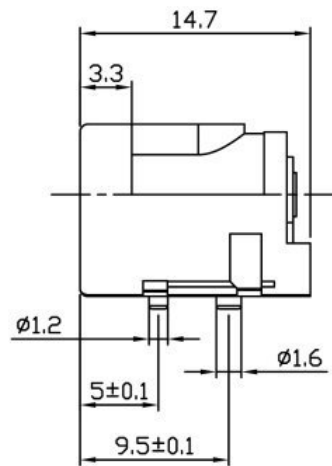
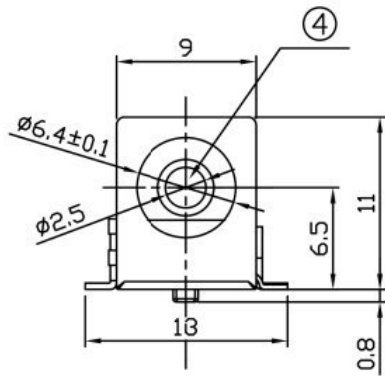
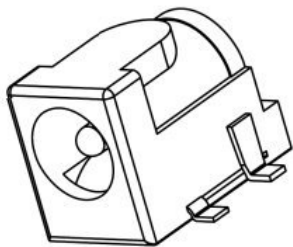


PCB LAYOUT TOP VIEW



CIRCUIT DIAGRAM



ANGULAR	±5°	DSND		DATE	2005. 12. 19	SCALE: 2 : 1	NAME: DC POWER JACK
16 < L ≤ 63	±0.3	CHKD		DATE		VIEW:	
4 < L ≤ 16	±0.2	APVD		DATE		UNIT: mm	
L ≤ 4	±0.15						
UNSPECIFIED TOLERANCE							