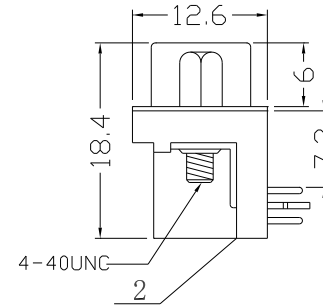
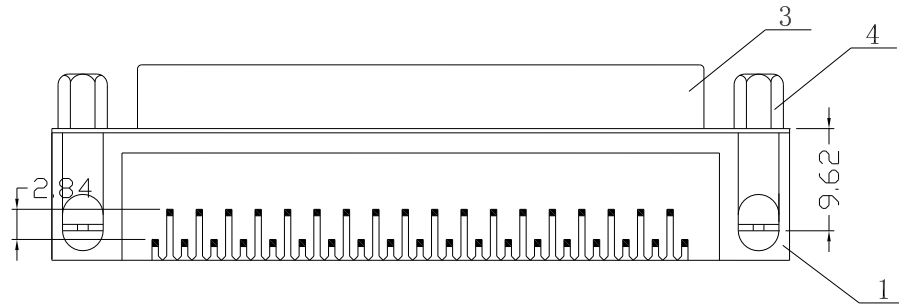


序号/RevNo.	名称/Title	文件编号/File No.
1	107-37F塑件主体	
2	107-37F塑件后盖	
3	37S铁壳	
4	螺丝	
5	107F端子	
6	Z字片	

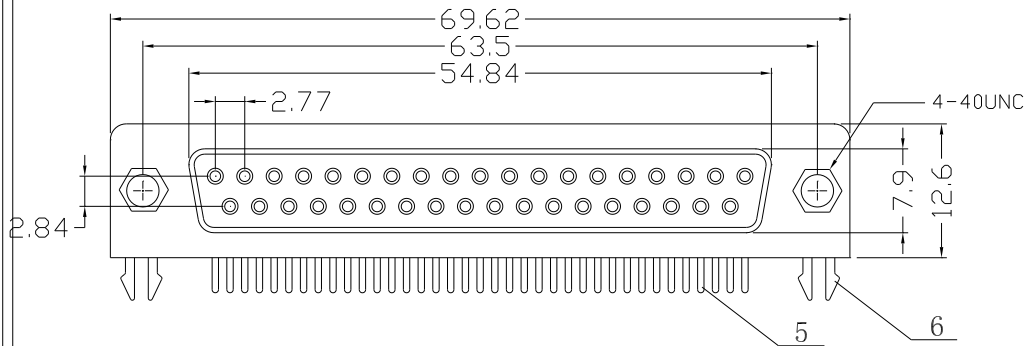


Specifications:

Contact Resistance: 30mΩ max.at dc 100 mA
 Insulator Resistance: 1000MΩ min.at DC 500V
 Current Rating: 5AMP

Dielectric Withstanding

Voltage: AC 1000V For 1 minute
 Operating Temperature:-55°C--+105°C
 Contact: Phosphor bronze
 Housing: PBT &30% Glass Fiber(UL 94V-0)



要求:

1. 塑料件无裂痕。
2. 整排端子成一直线，相邻端子之间相互平行。

设计/Designed by	绘图/Drawing by	审核/Checked by	批准/Approved by	未注公差 General Tolerance	
		图名/Title	文件编号/File No.	x. ±0.2	x." ±2°
		107-37STKAB 产品图		.x ±0.1	.x" ±1°
备注/Remark		页序/Sheet		.xx ±0.05	.xx" ±0.5°
				.xxx ±0.01	
				单位/Units: mm	

序号/RevNo.	更改记录/Revision note	签名/Signature	日期/Date