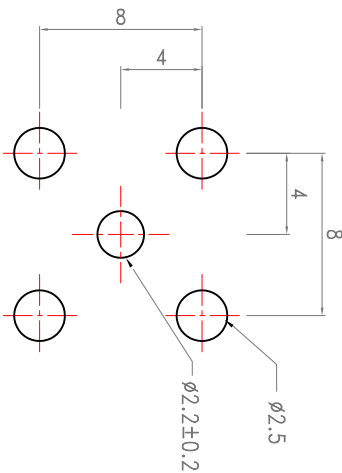
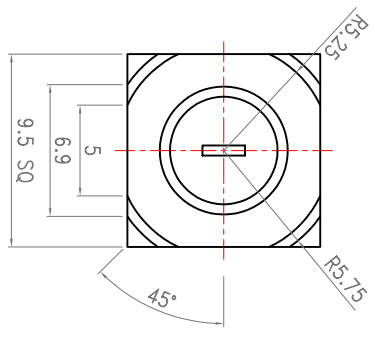
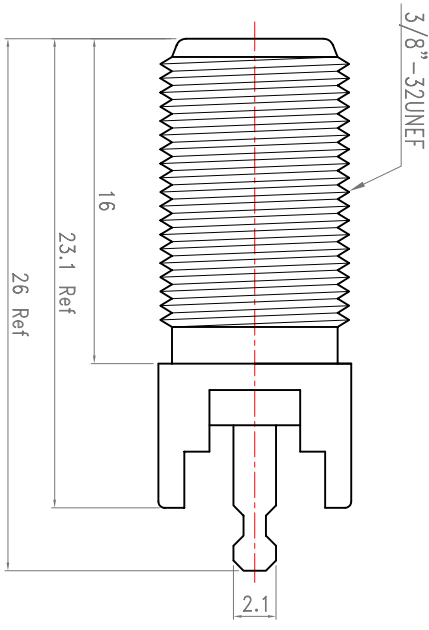


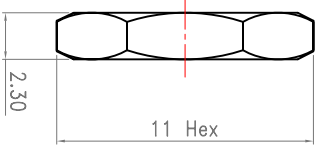
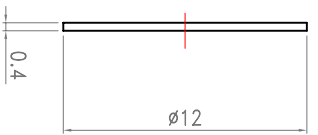
Revisions

ISS	Symbol	Description	Date
B		CHE for New Drawing Frame & New P/N System	2006/07/10

Outline Drawing



Recommended PCB Layout



RoHS COMPLIANCE

5	Nut	Brass	Nickel	
4	Washer	Brass	Nickel	
3	Pin	P. Bronze	Tin (P)	
2	Insulator	PP	None	
1	Body	Brass	Nickel	
ITEM	Description	Material	Finish	Part Number

Scale	Abbr.	Date	Rev.
NTS	ST	2008.08.27	B

Drawn	Checked	Approved
Mark	Ryan	G. Jun
2008.08.27	2008.08.27	2008.08.27

DWG.NO.  
F221W0N35-1

TITLE:  
F Jack, PCB Type

Proprietary Note  
This document contains information proprietary to S-Comm, which is either copyrighted, or patent applied for, and / or protected by trade secret laws.  
This document or parts thereof, may not be used, disclosed or reproduced in any form by any method, or for any purpose, without the written permission of S-Comm, Taiwan.  
Customer P/N: Nil

ISO 9001 Certified

S-Comm Enterprise Co., Ltd