

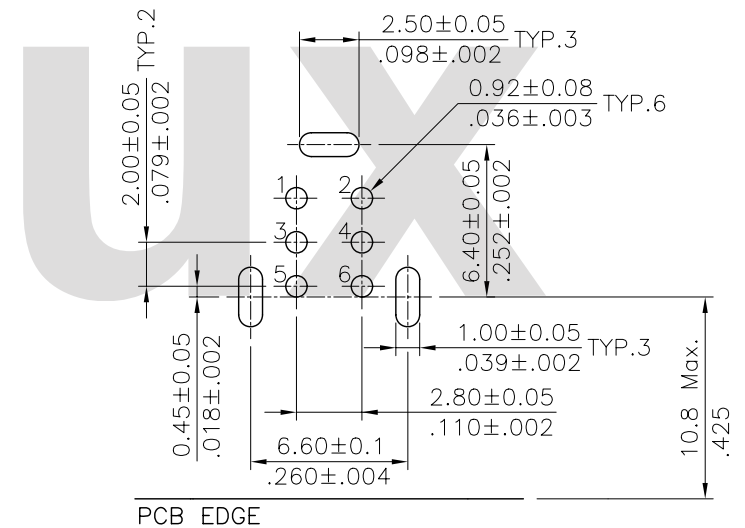
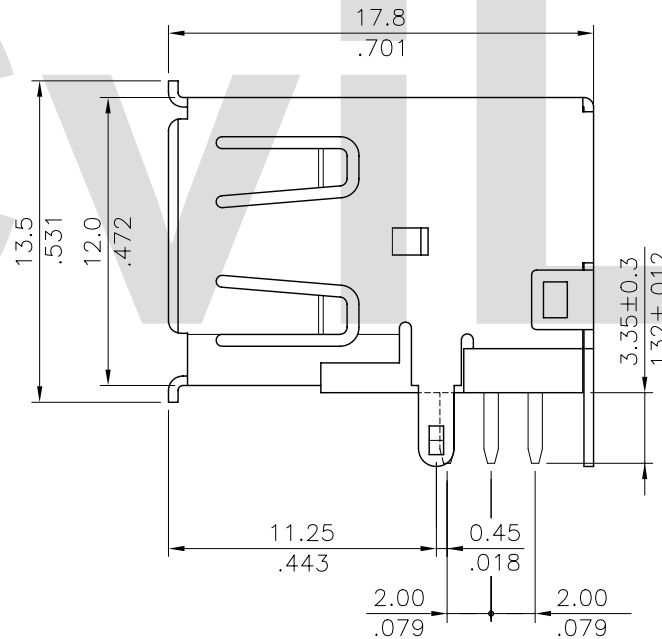
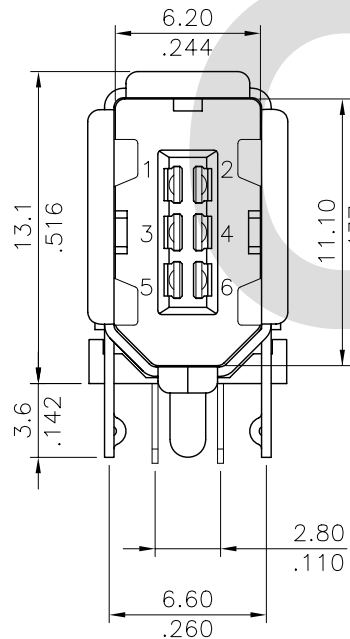
Material:

- * Insulation: Glass filled polyester UL 94V-0
- * Contact: Brass
- * Shell: Brass
- ⚠ * Shell Plating: 80μ Nickel over 50μ Cu

Ordering Code:



CU05 S C H 1 U 00
 ① ② ③ ④ ⑤ ⑥ ⑦

- ① Series No.
- ② S= Socket
- ③ Plating option:
 C= Selective 0.76μm(30μ”) Gold plated
 over 1.27μm(50μ”) Nickel
- ④ Tail Style: H= Right angle
- ⑤ Insulator color: 0= White, 1= Black, 9= Gary
- ⑥ Type: U= Upright type
- ⑦ Option: 00= Standard



Recommended P.C. Board Layout

RoHS Compliant

④						DATE	UNIT: mm / inch	TITLE: IEEE 1394 UPRIGHT R/A DIP RECEPTACLE CONNECTOR	 瀚荃股份有限公司 CviLux Corporation
③						DRAWN BY: Sun	TOLERANCE UNLESS OTHERWISE SPECIFIED	MATERIAL:	
②	Sun	7/01/05'	ECRO5062-0/ECN05231			ENGINEER: Eisley	.X ±0.30/.012	.X' ± 1'	DRAWING NO. CU0502SG PART NO. CU05SCH*U00
①	SUN	11/23/04	ECR04112-0/ECN04472			CHECKED BY: David	.XX ±0.20/.008	.X' ±	
SYM	NAME	DATE	REVISIONS			APPROVED BY: Alex	.XXX ±	.XX' ±	SCALE 3 / 1 SHEET 1 OF 1