

| NO | 件號 PAT.NO | 品名 NAME | 材質 MATL | 件數 SHT | 處理 TREAT | 備註 REMARK |
|----|-----------|---------------|------------------|--------|----------|-----------|
| 1 | I-442PX | 絕緣體 INSULATOR | 耐龍 NYLON | 1 | BLACK | |
| 2 | B-757BN-R | 本體 BODY | 銅合金 COPPER ALLOY | 1 | 鍍鎳 M-Ni | |
| 3 | O-049RX | ○型環 RING(O) | 橡膠 RUBBER | 1 | BLACK | |
| 4 | N-134BN-R | 螺帽 NUT | 銅合金 COPPER ALLOY | 1 | 鍍鎳 M-Ni | |
| 5 | J-335BG-R | 導針 CONTACT | 銅合金 COPPER ALLOY | 8 | 鍍金 M-Au | |

智慧財產權 請勿抄襲盜用

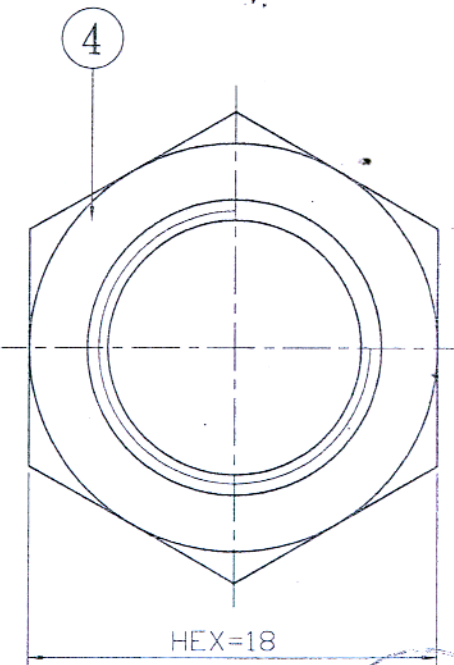
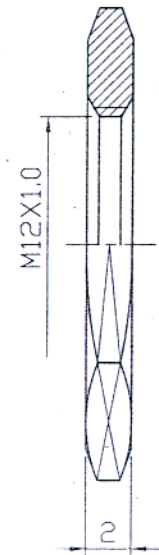
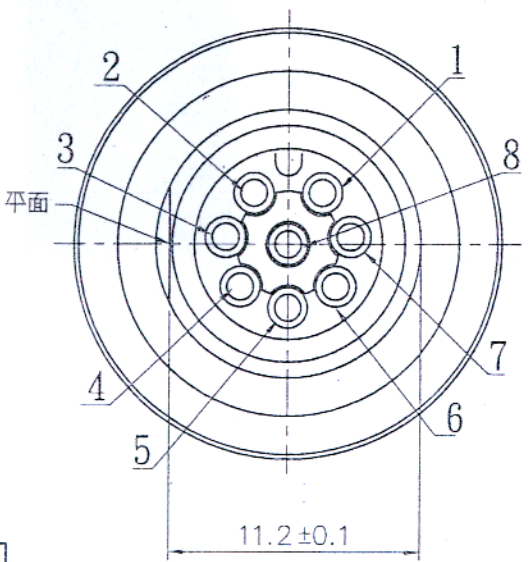
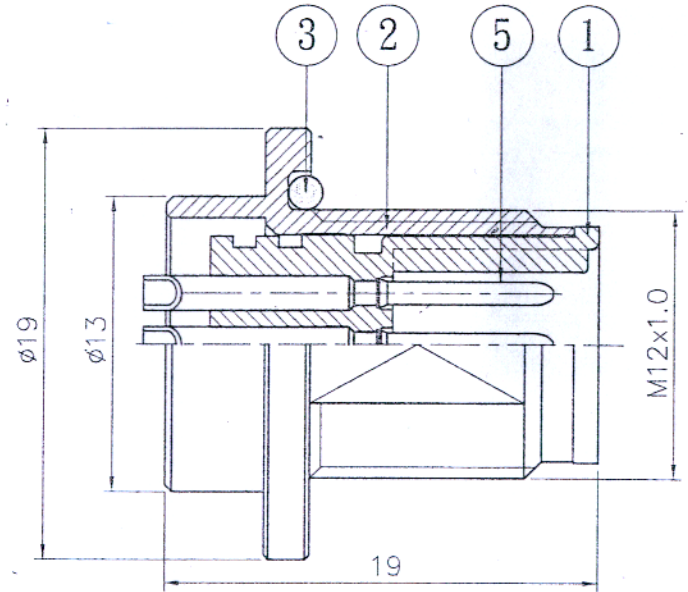
APEX CONNECTOR PROPRIETARY

本產品符合 RoHS 指令



參考圖面
REFER ORAIVING

FOR YOUR FORMAL APPROVAL,
PLEASE CONFIRM BY RETURN FAX
SIGNATURE :



| Items | Electrical specifications |
|-----------------------|---|
| Rated current/voltage | AC/DC 5V-5mA min. AC/DC 125V-3A max. |
| Withstanding voltage | AC 1000V(rms) for 1 minute |
| Insulation resistance | 100MΩ min. at DC 500V |
| Contact resistance | 40mΩ max. at DC 1A |

註:注意平面與卡榫的方向呈90度



ISO-9001:2000 CERTIFIED MANUFACTURER

鋁鋼精密科技股份有限公司
APEX CONNECTOR CO., LTD.

| | |
|----------|-----------------|
| 機種 MODEL | M-628-RM-R |
| 名稱 NAME | 8 PIN CONNECTOR |

| | |
|-----------|------------|
| DATE | 2006.10.26 |
| UNIT | mm |
| TOLERANCE | ±0.2 |
| SCALE | 3X |

| | |
|----------|--------------------------|
| DESIGNER | 開發部 2006.10.26 Mag |
| CHECKED | 核 10/27 |
| APPROVE | 核 95.10.27 文 |