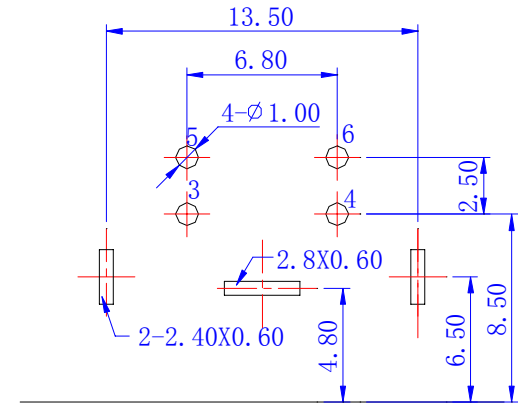
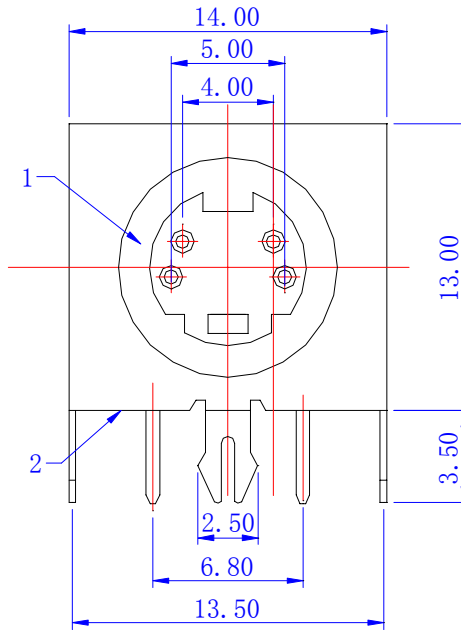
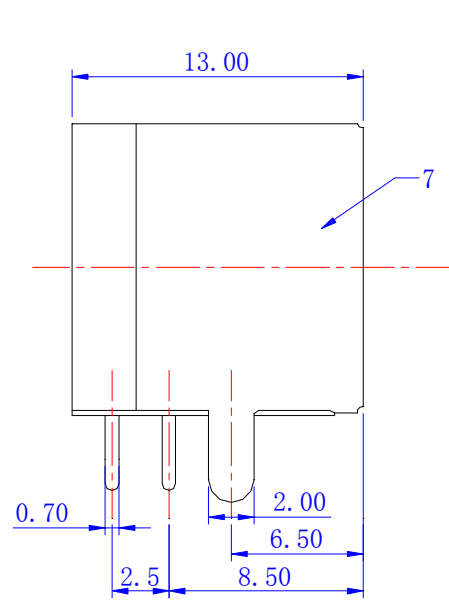


NO:	PARTCLR	BY	DATE
REVISIONS			



PCB LAYOUT

7	COVER-P	H65-0.3Y	1	Cu-Sn-PLATED
6	TERMINAL-D	H65-0.4Y	1	Cu-Sn-PLATED
5	TERMINAL-C	H65-0.4Y	1	Cu-Sn-PLATED
4	TERMINAL-B	H65-0.4Y	1	Cu-Sn-PLATED
3	TERMINAL-A	H65-0.4Y	1	Cu-Sn-PLATED
2	COVER	PPO	1	BLACK
1	HOUSE	PPO	1	BLACK
NO:	PART NAME	MATERIAL	QTY	FINISHING

MODEL NO: SW-4-10	TOLERANCE: ±0.2	DRAWN BY:
TYPE: STERMINAL SERIES	UNIT: mm	CHECKED BY:
MATERIAL NO:	SCALE: NO SCALE	APPROVED BY:

