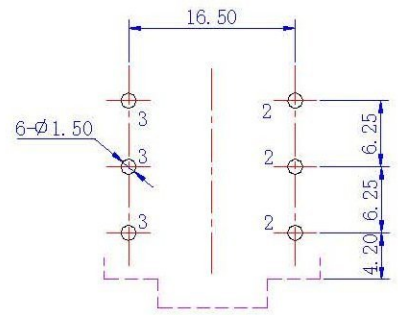
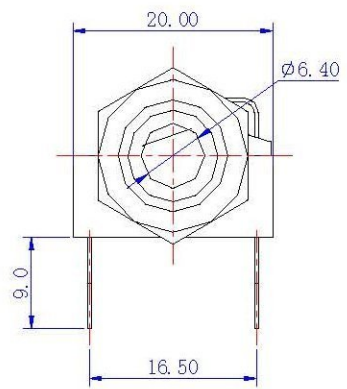
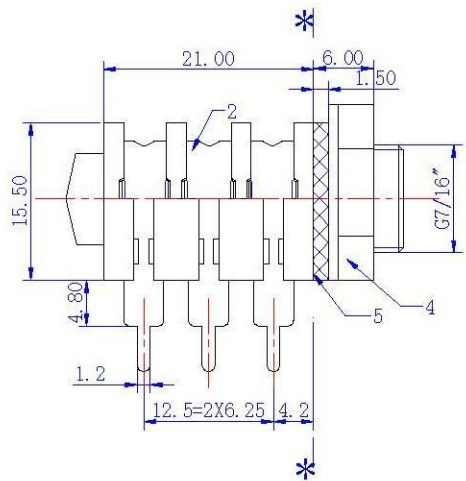
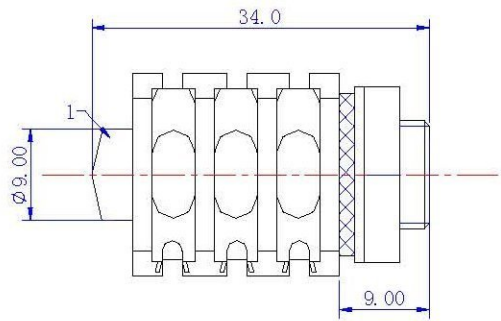
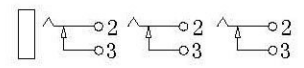


ALLOWANCE	
UNDER 3	±0.1
3 TO 6	±0.2
6 TO 15	±0.3
15 TO 50	±0.4
50 OVER	±0.5



PCB



SCHEMATIC

5	WASHER	ABS 94HB	1	
4	NUT	PA66	1	BLACK
3	TERMINAT-B	H65-0.4Y	3	Ag PLATED
2	TERMINAT-A	QSn6.5-0.1-0.4Y	3	Ag PLATED
1	HOUSE	ABS 94HB	1	BLACK
NO:	PART NAME	MATERIAL	QTY	FINISHING

MODEL NO: PJST6306	TOLERANCE: ±0.2	DRAWN BY:
TYPE: 6.35 PHONE SOCKET	UNIT: mm	CHECKED BY:
DRAWING NO:	SCALE: NO SCALE	APPROVED BY:

