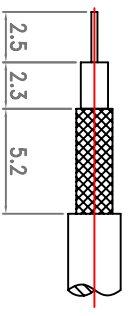
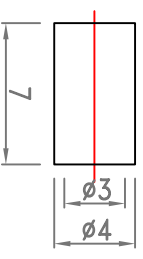
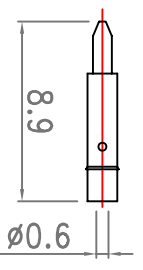
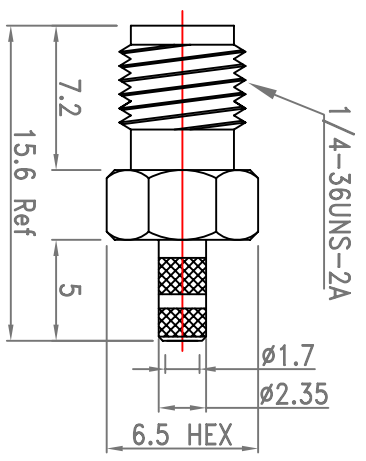


Revisions			
ISS	Symbol	Description	Date
B		CHE for New Drawing Frame & New PN System	2006/07/10



Recommended Cable Stripping Dim's

ROHS COMPLIANCE

ITEM	Description	Material	Finish	Part Number	QTY
1	Ferrule	Brass	Gold		
1	Pin	Brass	30u" Gold		
1	Insulator	PTFE	None		
1	Body	Brass	Gold		

Scale	Abbr.	Date	Rev.
NTS	ST	2007.04.16	B

Proprietary Note
 This document contains information proprietary to S-Conn, which is either copyrighted, or patent applied for, and / or protected by trade secret laws.
 This document or parts thereof, may not be used disclosed or reproduced in any form by any method, or for any purpose, without the written permission of S-Conn, Taken Customer P/N: Nil

DWG.NO. RS213LOG27-M
 TITLE: RP SMA Straight Crimp Jack for RG174


 S-Conn Enterprise Co., Ltd
 ISO 9001 Certified

Tolerances:
 X ±0.5
 .XX ±0.3
 .XXX ±0.2

All Dimensions in mm (Unless Otherwise Specified)

Drawn: *Ryuan*
 Checked: *Ryuan*
 Approved: *Y. Jun*

2007.04.16 2007.04.16 2007.04.16