

Order Information

MIN-A1M F- B4N

Contact plating

0: Gold Flash

1: Au 3μ "

2: Au 6μ "

3: Au 15μ "

4: Au 30μ "

1: Middle Key

2: Single Key

3: Double Key

Specification

Housing: Thermoplastic, UL94V-0

Contact: Copper Alloy

Shell: Copper Alloy

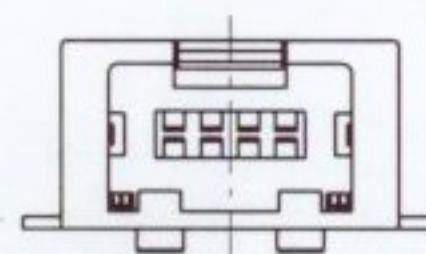
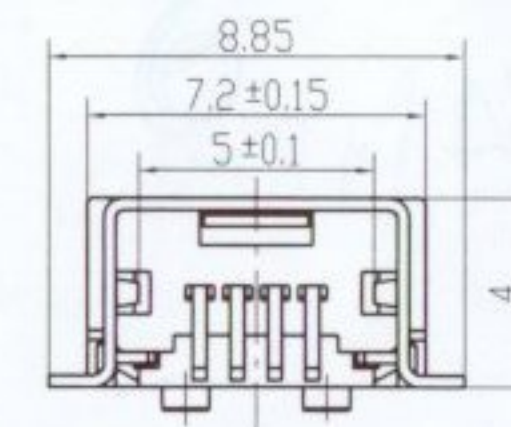
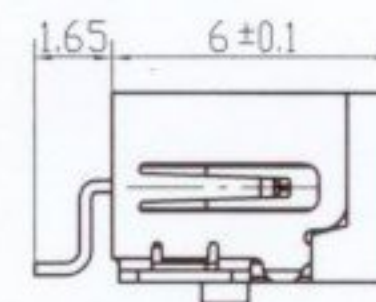
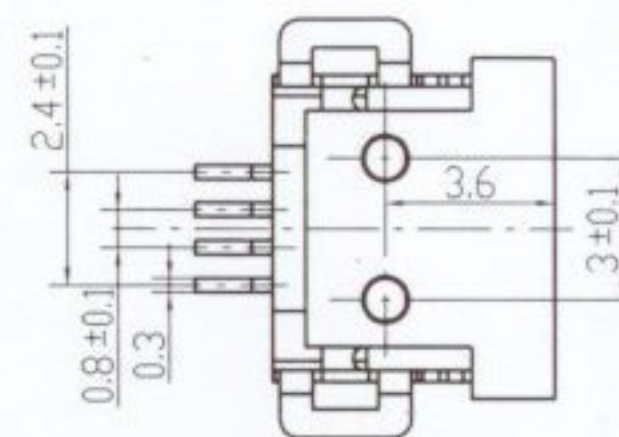
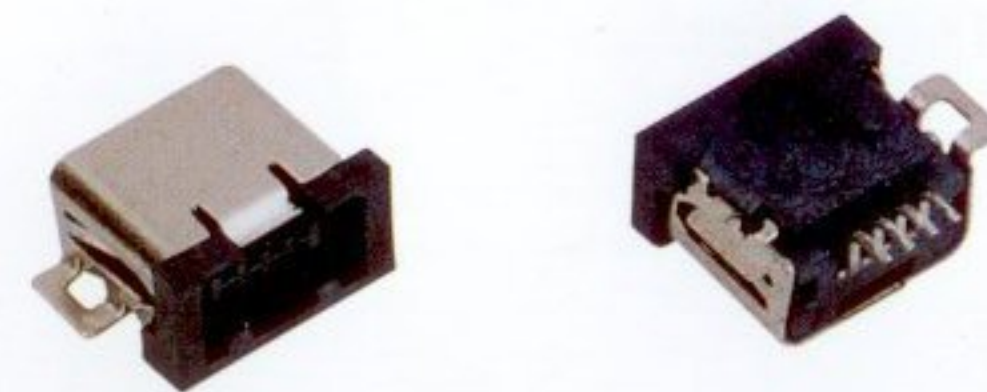
Voltage Current Rating: 1AMP.30V AC

Insulation Resistnce: 100MΩ Min

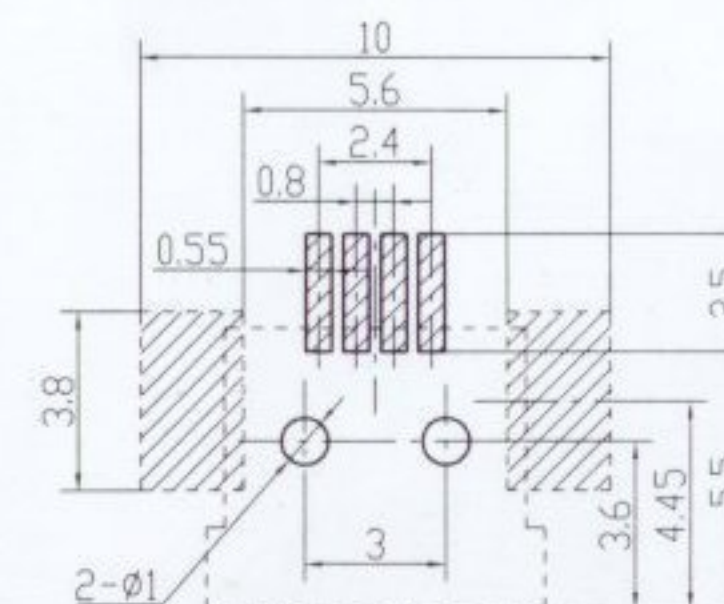
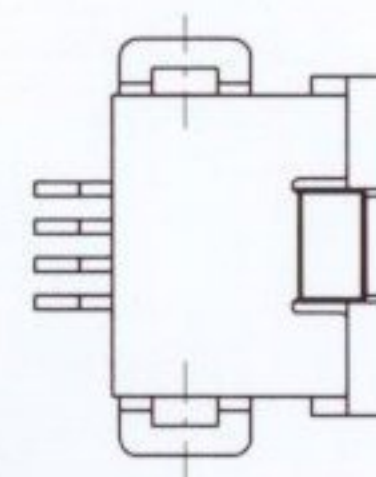
Contact Resistance: 50mΩ Max

Dielectric Withstanding Voltage: 100V AC

Temperature Range: -50°C to+85°C



DUAL KEY



Tolerances unless otherwise specified:
 0~1±0.05, 1~10±0.1, 10~20±0.15, 20~30±0.2.