

Materials & Finish:

Insulator: Glass filed Nylon 9T UL 94V-0
 Contacts: Brass
 Shell: Steel
 Shell plating: 50µ" Nickel over 100µ" Cu

Ordering Code:

CU01 P A M 1 0*0
 ① ② ③ ④ ⑤ ⑥

① Series No.

② P= Plug

③ Plating option:

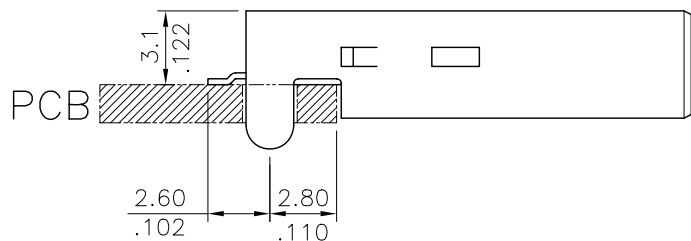
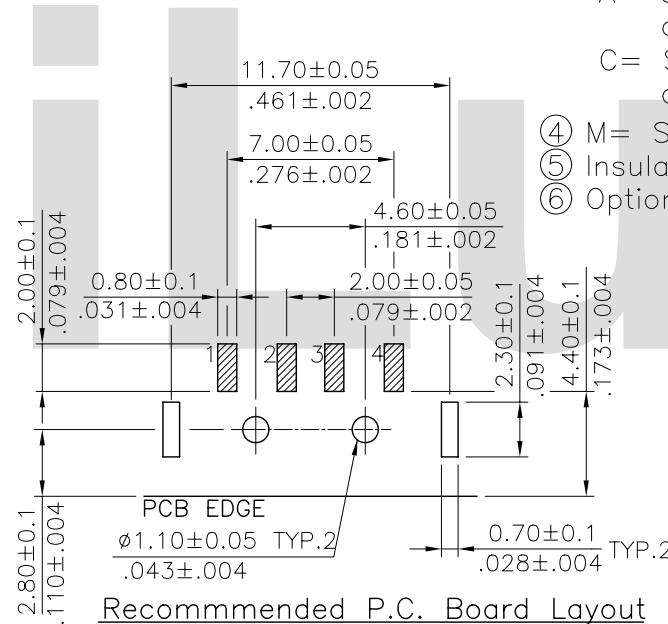
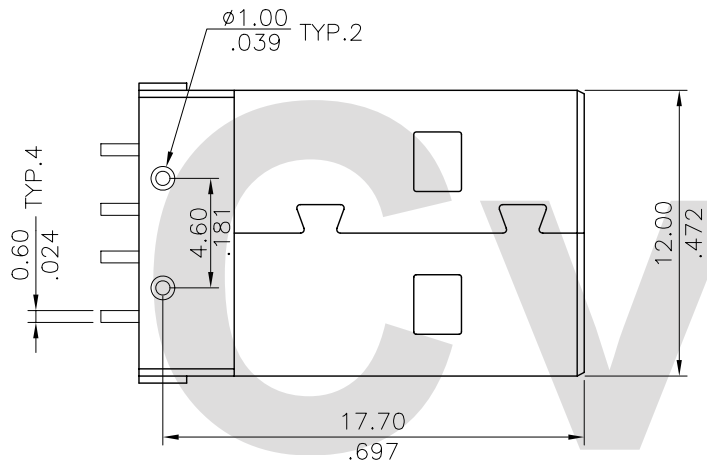
A= Selective Gold flash plated over 1.27µm(50µ") Nickel

C= Selective 0.76µm(30µ") Gold plated over 1.27µm(50µ") Nickel

④ M= SMT Type


⑤ Insulator Color: 1= Black, 0= White

⑥ Option: 000= Tube Packing (Standard)
 0R0= Tape & Reel Packing



RoHS Compliant

CVILUX CORP.
2006.11.21
ISSUED

④	Hank	11/8/06'	ECN06412	REVISIONS	DATE	UNIT: mm / inch	TITLE: USB TYPE A SMT TYPE BOARD MOUNT PLUG	 瀚荃股份有限公司 CviLux Corporation	
③	Sandy	12/30/04	ECN04304		DRAWN BY: Hank	11/8-06'	TOLERANCE UNLESS OTHERWISE SPECIFIED		MATERIAL:
②	Sandy	12/30/04	ECN04304		ENGINEER: Eisley	11/9-06'	.X ± 0.30/.012 X' ± r'		
①	SUN	8/10/04'	ECN04304		CHECKED BY: David	11/9-06'	.XX ± 0.20/.008 X' ±		FINISH:
SYM	NAME	DATE			APPROVED BY: Alex	11/9-06'	.XXX ± 0.10/.004 X' ±		
								DRAWING NO. CU0108SF	PART NO. CU01P**M*0*0
								SCALE 3 / 1	SHEET 1 OF 1