

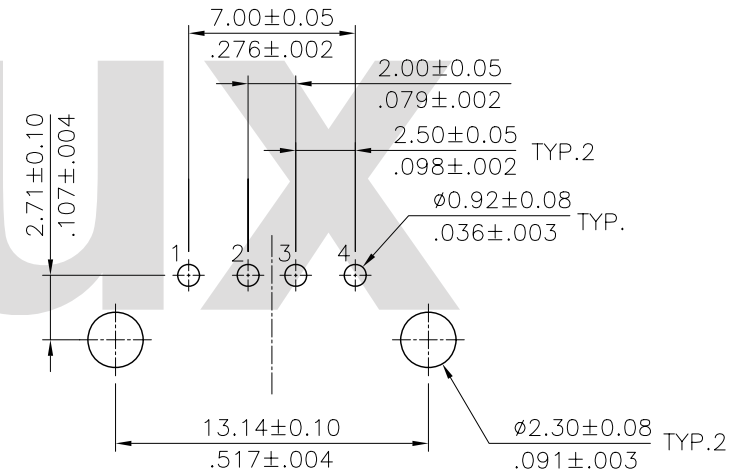
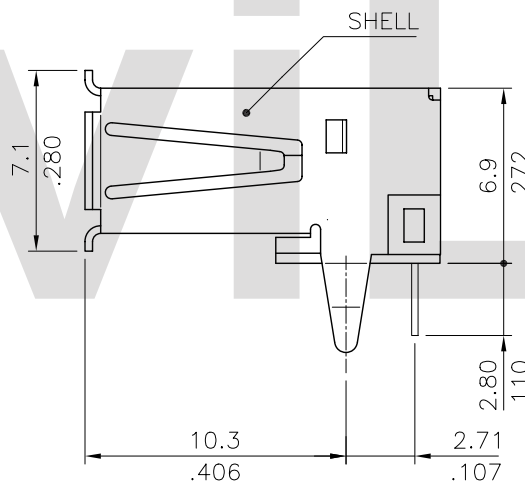
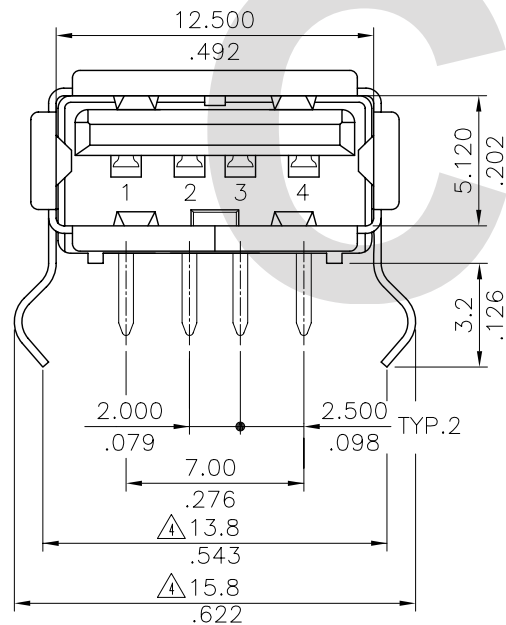
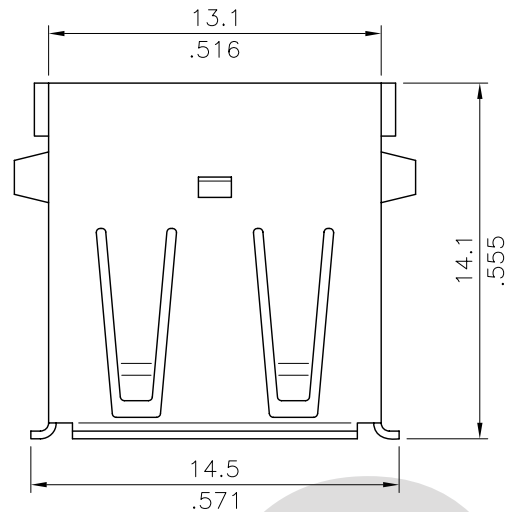
Ordering Code:

CU01 S A H 1 S 00
 ① ② ③ ④ ⑤ ⑥ ⑦

- ① Series No.
- ② S= Socket
- ③ Plating option:
 A= Selective Gold flash plated over 1.27μm(50μ”) Nickel
 C= Selective 0.76μm(30μ”) Gold plated over 1.27μm(50μ”) Nickel
- ④ H= Right angle
- ⑤ Insulator Color: 1= Black, 0= White
- ⑥ S= Single port
- ⑦ Option: 00= Standard

Materials :

Insulator: Glass filled polyester UL 94V-0
 Contacts: Phosphor Bronze
 Shell: Brass
 Shell Plating: 80μ” Nickel over 50μ” Cu



Recommended P.C. Board Layout

RoHS Compliant

④	Hank	11/8/06'	ECN06412		DATE	UNIT: mm / inch	TITLE: U.S.B TYPE A RIGHT ANGLE BOARD MOUNT SOCKET	瀚荃股份有限公司 CviLux Corporation	
③	Jim	8/22/06'	ECR06070-0/ECN06293		DRAWN BY: Hank	11/8-06'	TOLERANCE UNLESS OTHERWISE SPECIFIED		MATERIAL:
②	Jim	7/01/05'	ECR05062-0/ECN05231		ENGINEER: Eisley	11/9-06'	.X ± 0.30/.012 X' ± 1'		FINISH:
①	Sun	7/01/05'	ECR05062-0/ECN05231		CHECKED BY: David	11/9-06'	.XX ± 0.20/.008 .X' ±	DRAWING NO. CU0101SN	PART NO. CU01S*H*S00
SYM	NAME	DATE	REVISIONS		APPROVED BY: Alex	11/9-06'	.XXX ± 0.10/.004 .XX' ±	SCALE 3 / 1	SHEET 1 OF 1