

Ordering Code:

CU01 S A V 0 S 00  
 ① ② ③ ④ ⑤ ⑥ ⑦

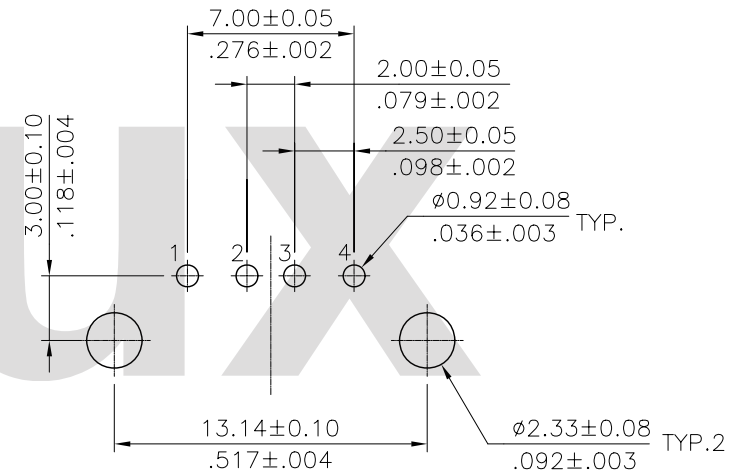
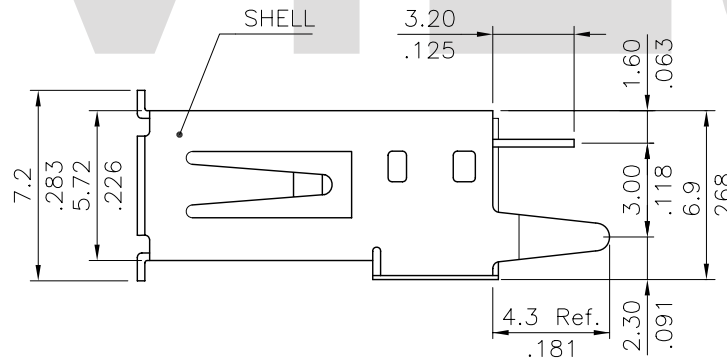
- ① Series No.
- ② S= Socket
- ③ Plating option:  
 A= Selective Gold flash plated over 50µin Nickel  
 C= Selective 30µin Gold plated over 50µin Nickel
- ④ V= Straight DIP
- ⑤ Insulator Color: 1= Black, 0= White
- ⑥ S= Single port
- ⑦ Option: 00= Standard

Materials :

Insulator : Glass filled polyester UL 94V-0  
 Color Beige

Contacts : Phosphor Bronze

△Shell Plating: 80µ Nickel over 50µ Cu



Recommended P.C. Board Layout

RoHS Compliant

④						DATE	UNIT: mm / inch	TITLE: U.S.B TYPE-A STRAIGHT BOARD MOUNT SOCKET	瀚荃股份有限公司 CviLux Corporation	
③	Hank	11/8/06'	ECN06412			DRAWN BY: Hank	11/8-06'	TOLERANCE UNLESS OTHERWISE SPECIFIED		
②	Sun	7/01/05'	ECR05062-0/ECN05231			ENGINEER: Easley	11/9-06'	.X ± 0.30 / .012 X' ± 1"	MATERIAL:	
①	Sandy	12/30/04'	ECN04516			CHECKED BY: David	11/9-06'	.XX ± 0.20 / .008 .X' ±	FINISH:	
SYM	NAME	DATE	REVISIONS			APPROVED BY: Alex	11/9-06'	.XXX ± 0.10 / .004 .XX' ±	DRAWING NO. CU0112SG	PART NO. CU01S*V*S00
									SCALE 3 / 1	SHEET 1 OF 1

