

Materials :

Insulator: PBT + 30% GF. UL 94V-0

Contacts: Brass

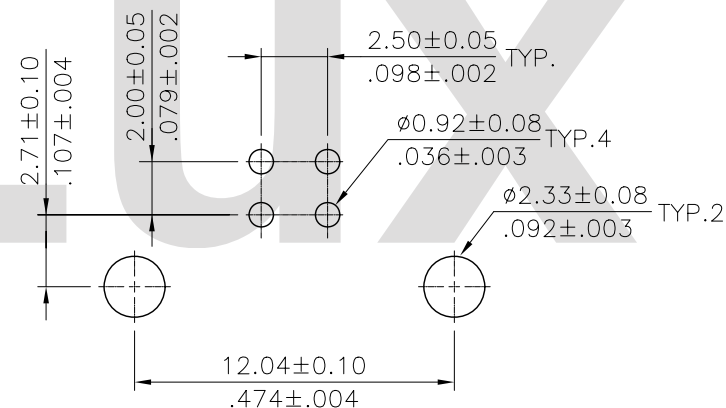
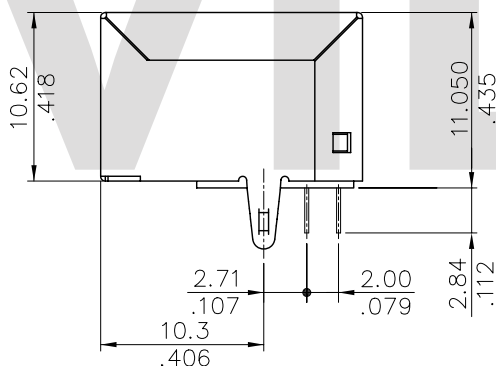
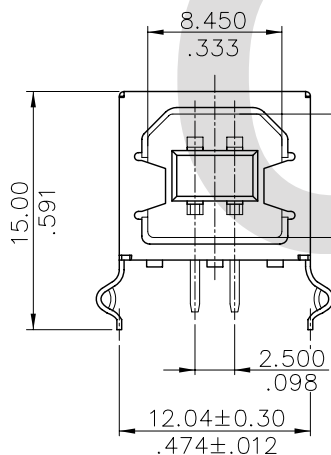
Shell: Brass

Shell Plating: Nickel plated

Ordering Code:

CU02 S A H 0 0 00
 ① ② ③ ④ ⑤ ⑥ ⑦

- ① Series No.
- ② S= Socket
- ③ Plating option:
 A= Selective Gold flash
 plated over 1.27μm(50 μin) Nickel
 C= Selective 0.76μm(30 μin) Gold plated
 over 1.27μm(50 μin) Nickel
- ④ H= Right angle
- ⑤ Insulator Color: 1= Black, 0= White
- ⑥ 0= Standard
- ⑦ Option: 00= Standard



Recommended P.C. Board Layout

RoHS Compliant

④	Sandy	1/16/06'	ECN06495/ECR06080-1			DATE	UNIT: mm / inch	TITLE: U.S.B TYPE B RIGHT ANGLE BOARD MOUNT SOCKET	瀚荃股份有限公司 CviLux Corporation	
③	Hank	11/8/06'	ECN06412		DRAWN BY: Sandy	1/16-07'	TOLERANCE UNLESS OTHERWISE SPECIFIED	BOARD MOUNT SOCKET		
②	Sandy	9/12/05'	ECR05075-0/ECN05298		ENGINEER: Eisley	1/18-07'	.X ± 0.30/.012 .X' ± 1'	MATERIAL:		
①	Sun	7/01/05'	ECR05062-0/ECN05231		CHECKED BY: David	1/18-07'	.XX ± 0.20/.008 .X' ±	FINISH:	DRAWING NO. CU0202SM	PART NO. CU02S*H*000
SYM	NAME	DATE	REVISIONS		APPROVED BY: David	1/18-07'	.XXX ± 0.15/.006 .XX' ±		SCALE 2 / 1	SHEET 1 OF 1