

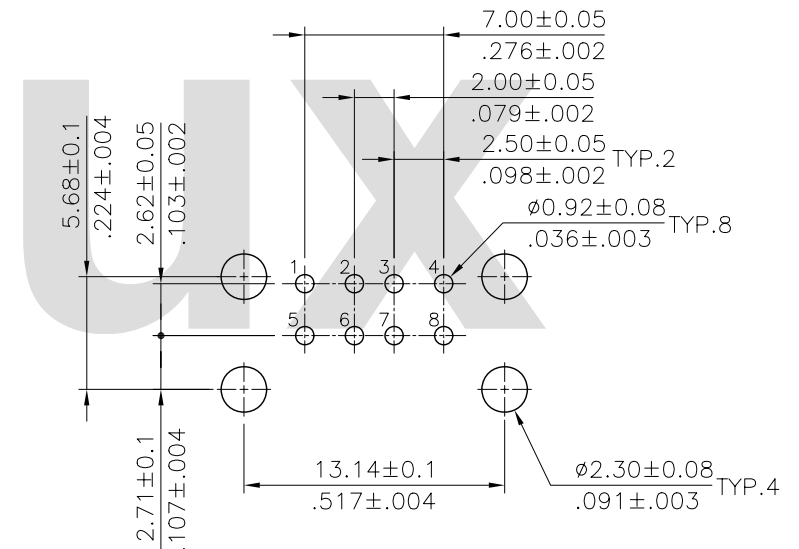
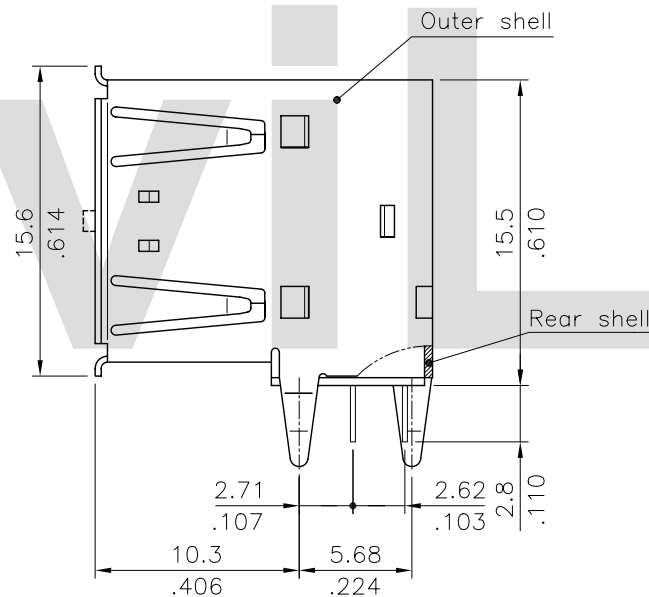
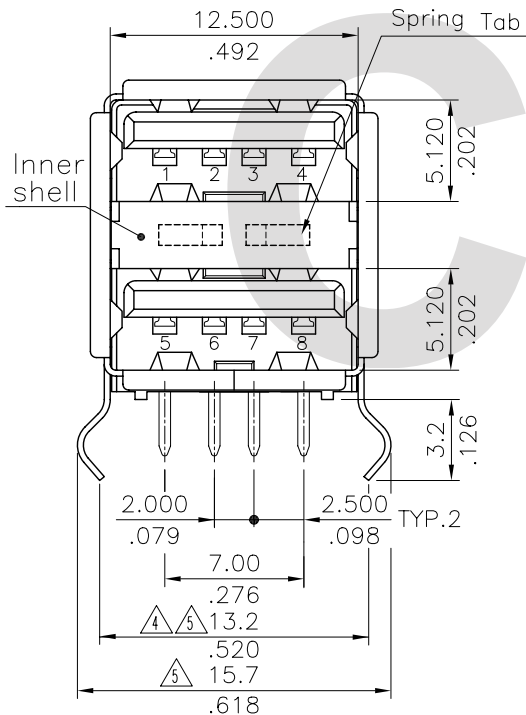
Materials :

Insulator: Glass filled polyester UL 94V-0
 Contacts: Phosphor Bronze
 Outer & Inner Shell: Brass
 Shell Plating: 80μ" Nickel over 50μ" Cu
 Rear Shell: Steel With Nickel plated

Ordering Code:


CU01 S A H 1 D 00
 ① ② ③ ④ ⑤ ⑥ ⑦

- ① Series No.
- ② S= Socket
- ③ Plating option:
 A= Selective Gold flash plated over 1.27μm(50μ") Nickel
 C= Selective 0.76μm(30μ") Gold plated over 1.27μm(50μ") Nickel
- ④ H= Right angle
- ⑤ Insulator Color: 1= Black, 0= White
- ⑥ D= Dual port
- ⑦ Option: 00= With Spring Tab(Standard)
 0A= Without Spring Tab



Recommended P.C. Board Layout

RoHS Compliant

④	Jim	7/14/06'	ECR06052-0/ECN06232		DATE	UNIT: mm / inch	TITLE: USB TYPE A RIGHT ANGLE DUAL PORT BOARD MOUNT SOCKET	 瀚荃股份有限公司 CviLux Corporation
③	Ethan	12/19/05	ECN05441	DRAWN BY: Hank	11/8-06'	TOLERANCE UNLESS OTHERWISE SPECIFIED	MATERIAL:	
②	Hank	11/8/06'	ECN06412	ENGINEER: Eisley	11/9-06'	.X ± 0.30/.012 X' ± r'	FINISH:	DRAWING NO. CU0102SQ PART NO. CU01S*H*DO*
⑤	Jim	7/27/06'	ECN06258	CHECKED BY: David	11/9-06'	.XX ± 0.20/.008 .X' ±		SCALE 3 / 1 SHEET 1 OF 1
SYM	NAME	DATE	REVISIONS	APPROVED BY: Alex	11/9-06'	.XXX ± 0.10/.004 .XX' ±		

CIVILUX CORP.
 2006.11.21
 ISSUED