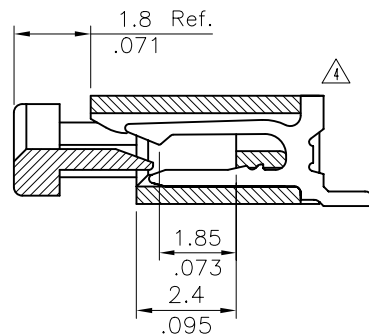


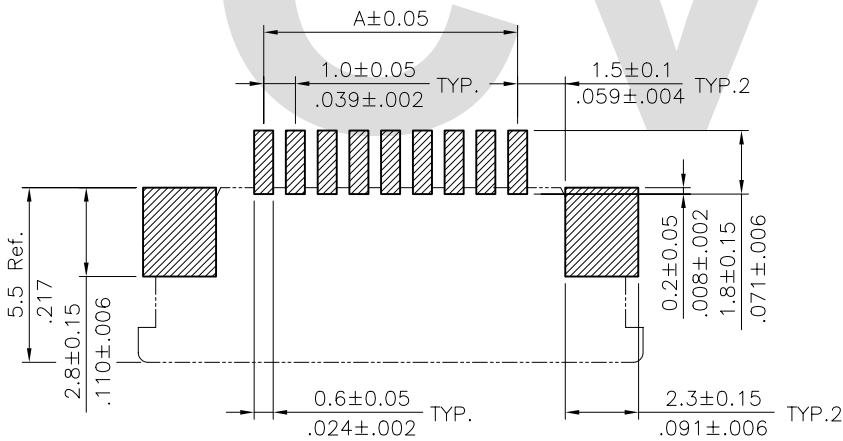
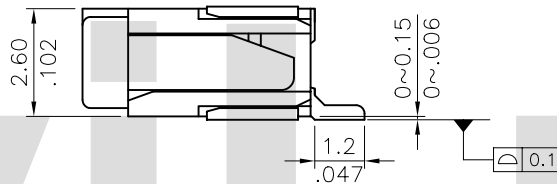
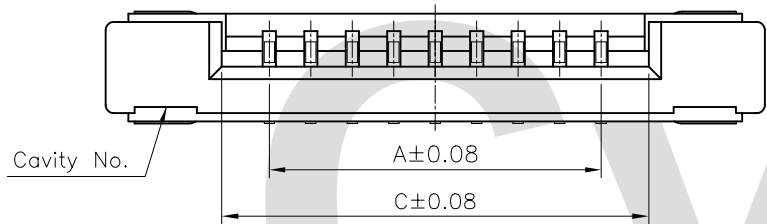
Material :
 * Body : Glass Filled Nylon 6T UL 94V-0
 * Slider : PPS With 40% GF. UL 94V-0
 Color Brown
 * Contact : Copper Alloy
 * Fixed tab : Copper Alloy with Tin plated



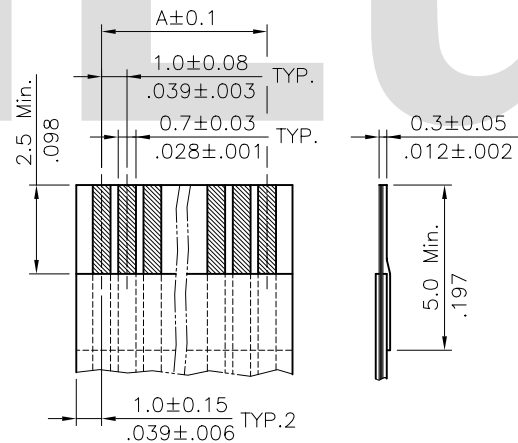
Ordering Code

CF07 ** * U 0 * 0
 ① ② ③ ④ ⑤ ⑥ ⑦

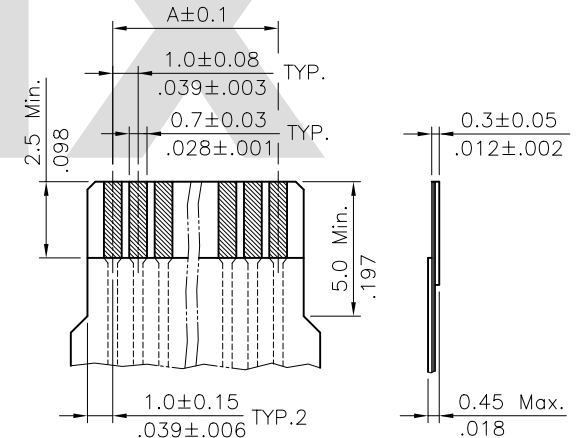
- ① Series No.
- ② No. of Circuits
- ③ Plating code:
 1= Tin plated over Nickel
 △ 2= Gold flash plated over Nickel
- ④ Contact style: U= Upside Contact
- ⑤ Color: 0= Nature
- ⑥ Packing options: R= Tape & Reel
 T= Tube Packing
- ⑦ Other options: 0= Standard



Sold Pad Pattern



Accommodated FFC



Accommodated FPC

RoHS Compliant

△4	Sun	11/06-06'	ECR06062-1/ECN06406		DATE	UNIT: mm / inch	TITLE: 1.00mm(.039") ZIF FPC/FFC UPSIDE CONTACT SURFACE MOUNT CONNECTOR	瀚荃股份有限公司 CviLux Corporation
△3	Sun	8/10-05'	ECN05268	DRAWN BY: Sun	11/09-06'	TOLERANCE UNLESS OTHERWISE SPECIFIED	MATERIAL:	
△2	Sun	3/25-04'	ECN04117	ENGINEER: Eisley	11/09-06'	.X ± 0.15/.006 X' ± 1'	FINISH:	
△1	Sun	11/19-03'	ECN03409/ECR03049-0	CHECKED BY: David	11/09-06'	.XX ± 0.10/.004 X' ±		
SYM	NAME	DATE	REVISIONS	APPROVED BY: Alex	11/09-06'	.XXX ± 0.05/.002 XX' ±		DRAWING NO. CF0702SK PART NO. CF07***U0*0 SCALE 5 / 1 SHEET 1 OF 1

CIVILUX CORP.
 2006.11.14
 ISSUED