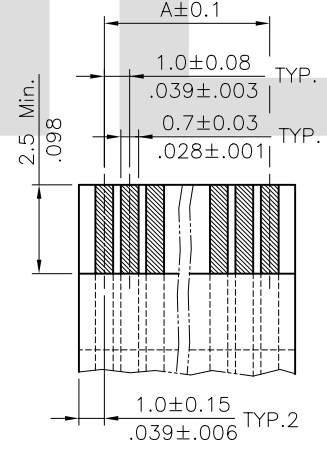
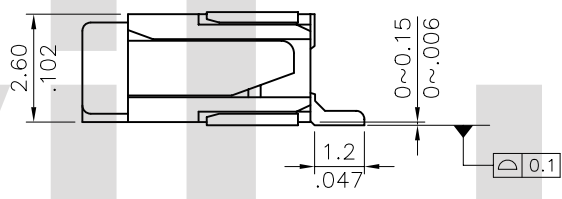
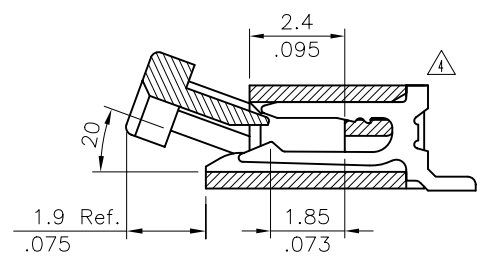


Sold Pad Pattern

A = 1.00 * No. of Spaces
 B = A + 8.0
 C = A + 2.1
 * Available in 4 through 32 circuits



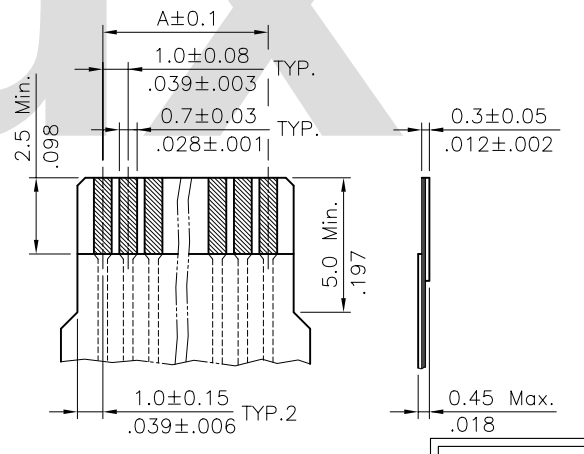
Accommodated FFC

Material :
 * Body : Glass Filled Nylon 6T UL 94V-0
 * Slider : PPS With 40% GF. UL 94V-0
 Color Brown
 * Contact : Copper Alloy
 * Fixed tab : Copper Alloy with Tin plated

Ordering Code

CF07 ** 1 D 0 * 0
 ① ② ③ ④ ⑤ ⑥ ⑦

- ① Series No.
- ② No. of Circuits
- ③ Plating code:
 1 = Tin plated over Nickel
 2 = Gold flash plated over Nickel
- ④ Contact style: D = Downside Contact
- ⑤ Color: 0 = Nature
- ⑥ Packing options: R = Tape & Reel
 T = Tube Packing
- ⑦ Other options: 0 = Standard



Accommodated FPC

RoHS Compliant

④	Sun	11/06-06'	ECR06062-1/ECN06406	DATE	UNIT: mm / inch	TITLE: 1.00mm(.039") ZIF FPC/FFC DOWNSIDE CONTACT SURFACE MOUNT CONNECTOR	
③	Sun	8/10-05'	ECN05268	DRAWN BY: Sun	11/09-06'		TOLERANCE UNLESS OTHERWISE SPECIFIED
②	Sun	3/25-04'	ECN04117	ENGINEER: Eisley	11/09-06'		.X ± 0.15/.006 X' ± 1'
①	Sun	11/19-03'	ECN03409/ECR03049-0	CHECKED BY: David	11/09-06'		.XX ± 0.10/.004 X' ±
SYM	NAME	DATE	REVISIONS	APPROVED BY: Alex	11/09-06'	.XXX ± 0.05/.002 XX' ±	

CVILUX CORP.
 2006.11.14
 ISSUED

瀚荃股份有限公司
 CviLux Corporation

DRAWING NO.	CF0701SK	PART NO.	CF07***D0*0
SCALE	5 / 1	SHEET	1 OF 1