

**CUSTOMER DRAWING**

*PRODUCT SERIES*

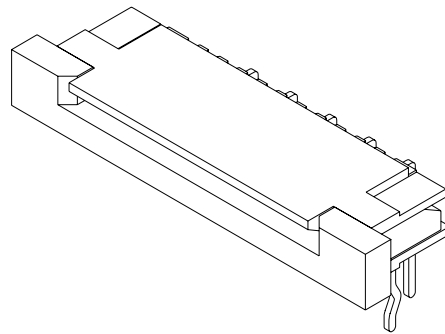
1.0mm FPC CONNECTOR  
SIDE ENTRY UPPER CONTACT  
DIP TYPE

*NUMBER OF CONTACTS*

4 - 34

**PERFORMANCE CHARACTERISTICS**

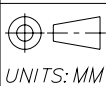
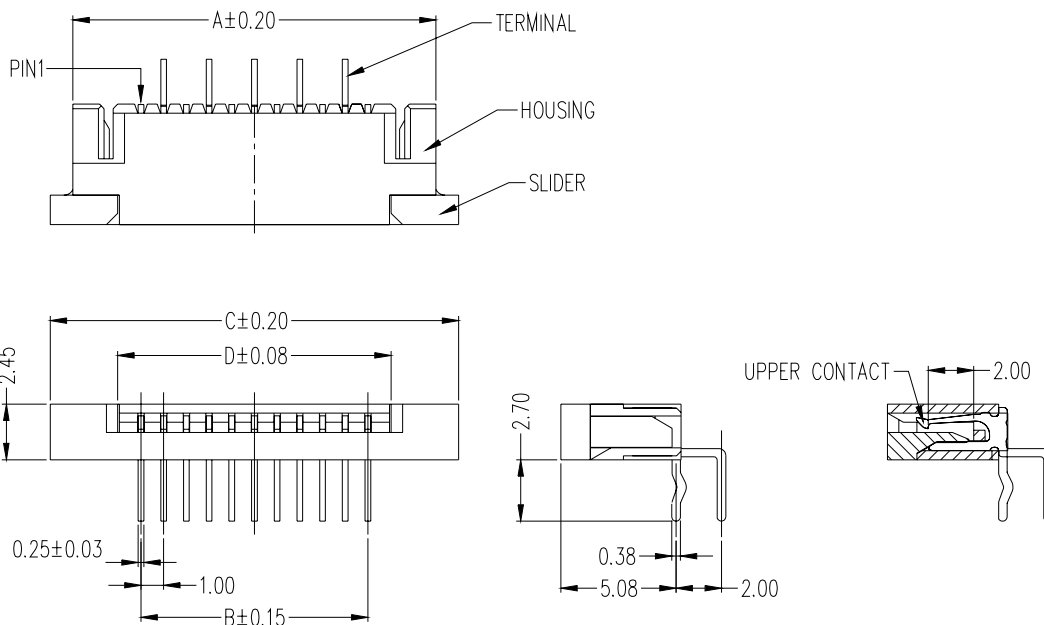
Operating Voltage:	100 VAC Max.
Current Rating:	0.5 Amp Max.
Contact Resistance:	30 mΩ Max.
Insulation Resistance:	500 MΩ Min.
Dielectric Withstanding Voltage:	500 VAC RMS.
Operating Temperature:	-40°C TO +85°C
Accommodated FFC/FPC Thickness:	0.25~0.35mm



**MATERIAL**

Insulator:	LCP;UL94V-0 Rated. (COLOR : IVORY)
Slider:	PPS;UL94V-0 Rated. (COLOR : BLACK)
Terminal:	Phosphor Bronze
Plating:	120u" Tin Alloy plated over 40u" nickel

**A TYPE**



**TOLERANCE**  
(UNLESS SPECIFIED)

0.0	$\pm 0.XX$
0.00	$\pm 0.25$
0.000	$\pm 0.XX$

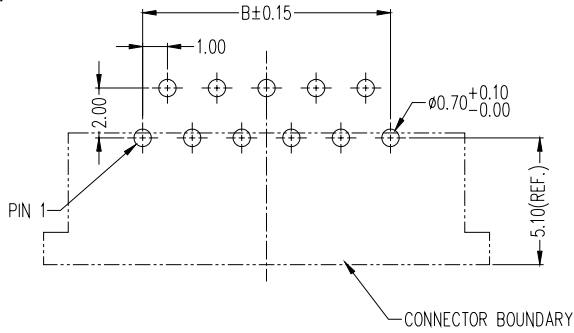
**TITLE:**  
1.0 ZIF FPC CONN. SIDE ENTRY  
UPPER CONTACT DIP TYPE.

DWG NO.	FZC5_C	SERIES	FZC5
FILE PATH	PD\FZ\FZC5\FZC5_CE		

SHEET	1/2
REV.	E

CUSTOMER DRAWING

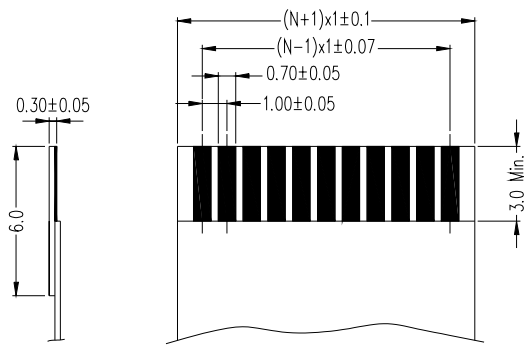
[A TYPE]



RECOMMENDED PCB LAYOUT (components side)

DIM. TABLE

34	39.00	33.00	41.00	35.15
33	38.00	32.00	40.00	34.15
32	37.00	31.00	39.00	33.15
31	36.00	30.00	38.00	32.15
30	35.00	29.00	37.00	31.15
29	34.00	28.00	36.00	30.15
28	33.00	27.00	35.00	29.15
27	32.00	26.00	34.00	28.15
26	31.00	25.00	33.00	27.15
25	30.00	24.00	32.00	26.15
24	29.00	23.00	31.00	25.15
23	28.00	22.00	30.00	24.15
22	27.00	21.00	29.00	23.15
21	26.00	20.00	28.00	22.15
20	25.00	19.00	27.00	21.15
19	24.00	18.00	26.00	20.15
18	23.00	17.00	25.00	19.15
17	22.00	16.00	24.00	18.15
16	21.00	15.00	23.00	17.15
15	20.00	14.00	22.00	16.15
14	19.00	13.00	21.00	15.15
13	18.00	12.00	20.00	14.15
12	17.00	11.00	19.00	13.15
11	16.00	10.00	18.00	12.15
10	15.00	9.00	17.00	11.15
9	14.00	8.00	16.00	10.15
8	13.00	7.00	15.00	9.15
7	12.00	6.00	14.00	8.15
6	11.00	5.00	13.00	7.15
5	10.00	4.00	12.00	6.15
4	9.00	3.00	11.00	5.15
POS.	A	B	C	D



N=NUMBER OF CONTACTS  
(APPLICABLE FPC/FFC)



TOLERANCE  
(UNLESS SPECIFIED)  
0.0 ±0.XX  
0.00 ±0.25  
0.000 ±0.XX

TITLE:  
1.0 ZIF FPC CONN. SIDE ENTRY  
UPPER CONTACT DIP TYPE.

DWG NO. FZC5_C	SERIES FZC5	SHEET 2/2
FILE PATH PD\FZ\FZC5\FZC5_CE	REV. E	