

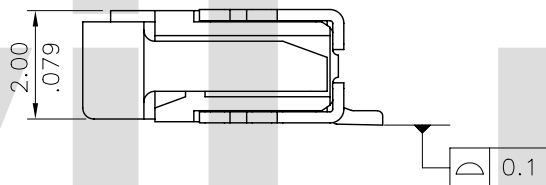
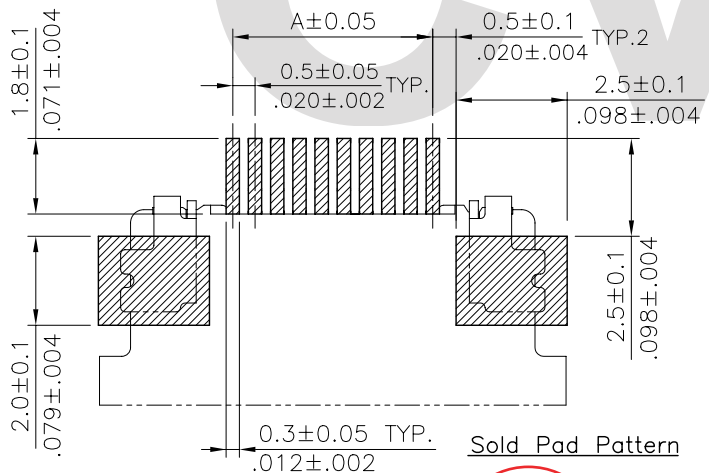
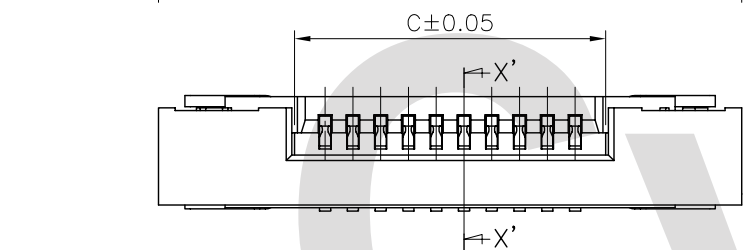
### Ordering Code

CF20 \*\* \* U 0 \*\*  
 ① ② ③ ④ ⑤ ⑥

- ① Series No.
- ② No. of Circuits
- ③ Plating code:  
 1 = 3.05μm(120μ") Min. Tin over 0.76μm(30μ") Nickel  
 2 = Gold flash plated over 1.27μm(50μ") Nickel
- ④ Contact style: U = Upside contact
- ⑤ Color: 0 = Nature
- ⑥ Other option: R0 = Tape & Reel  
 T0 = Tube Packing

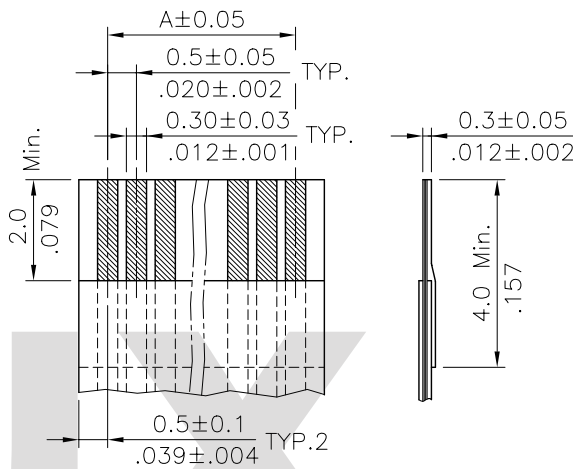
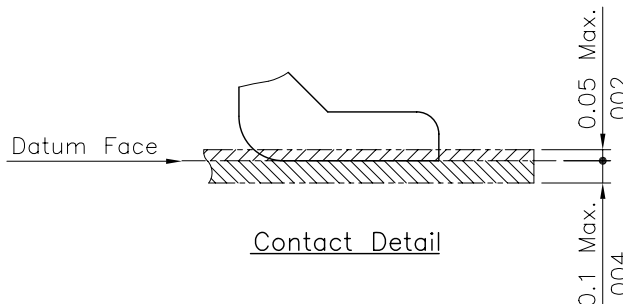
Material :

- \* Body : Glass filled Polyamide UL 94V-0 Color Nature(Ivory)
- △ \* Slider : Glass filled Polyamide UL 94V-0 Color Black
- \* Contact : Copper alloy with Tin plated
- \* Fixed tab : Copper alloy with Tin plated

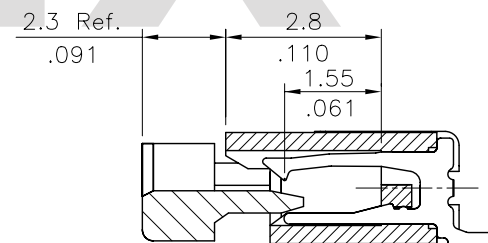


A = 0.50 \* No. of Spaces  
 B = A + 6.0  
 C = A + 1.1

\* Available in 4 through 50 circuits



Accommodated FFC/FPC



SEC.: X-X'

RoHS Compliant

④						UNIT: mm / inch	TITLE: 0.50mm(.031") ZIF FFC/FPC UPSIDE CONTACT SURFACE MOUNT CONNECTOR	瀚荃股份有限公司 CviLux Corporation
③	Jim	7/5/06'	ECN06215	DRAWN BY: Jim	7/6-06'	TOLERANCE UNLESS OTHERWISE SPECIFIED		
②	SUN	12/23/04	ECR04064-1, ECR04069-1/ECN04462	ENGINEER: Easley	7/10-06'	.X ± 0.15/.006 X' ± 1'	MATERIAL:	DRAWING NO. CF2002SC
①	SUN	1/28/04'	ECN04041	CHECKED BY: Alex	7/10-06'	.XX ± 0.10/.004 X' ±	FINISH:	PART NO. CF20***U0T0 CF20***U0R0
SYM	NAME	DATE	REVISIONS	APPROVED BY: Alex	7/10-06'	.XXX ± 0.05/.002 X' ±		SCALE 7 / 1
								SHEET 1 OF 1

CIVILUX CORP.  
 2006.07.17  
 ISSUED