

ZIFNZ01

CUSTOMER DRAWING

PRODUCT SERIES

NZ01: 0.5mm ZIF FPC/FFC CONN.
SIDE ENTRY UPPER CONTACT
SMT TYPE(BROWN SLIDER)

NZ11: 0.5mm ZIF FPC/FFC CONN.
SIDE ENTRY UPPER CONTACT
SMT TYPE(BLACK SLIDER)

NUMBER OF CONTACTS

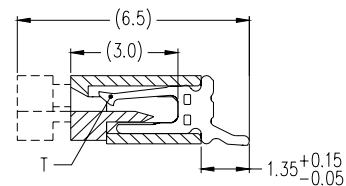
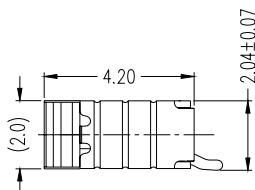
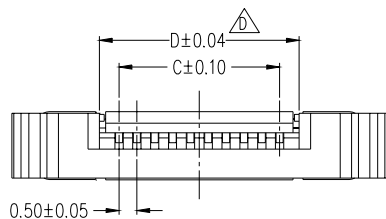
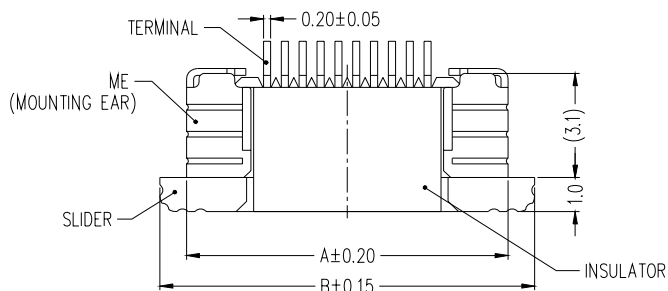
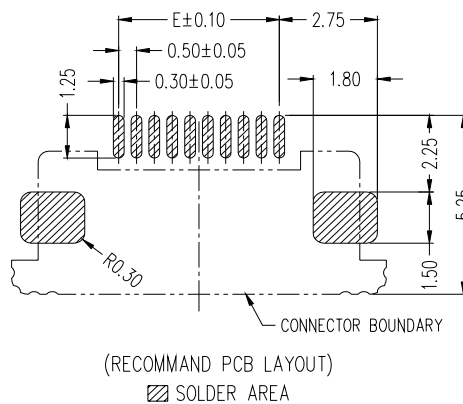
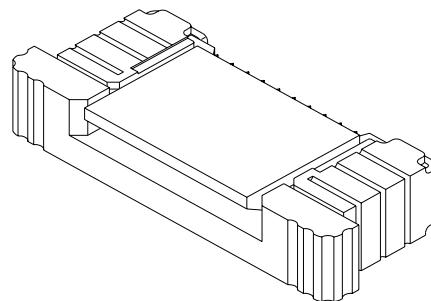
4 - 39

PERFORMANCE CHARACTERISTICS

Operating Voltage:	50 VAC Max.
Current Rating:	0.5 Amp Max.
Contact Resistance:	20 mΩ Max.
Insulation Resistance:	50 MΩ Min.
Dielectric Withstanding Voltage:	250 VAC RMS.
Operating Temperature:	-20°C TO +85°C
Accommodated FFC/FPC Thickness:	0.30±0.03mm
Processing Temperature:	220°~230° for 30 sec

MATERIAL

Insulator:	△ PA9T; UL94V-0 Rated. (Color : Natural)
Slider:	PPS; UL94V-0 Rated. (Color : NZ01: Brown/NZ11: Black)
Terminal:	Phosphor Bronze
ME:	Phosphor Bronze
Plating:	120u" Tin Alloy plated over 40u" nickel



TOLERANCE
(UNLESS SPECIFIED)

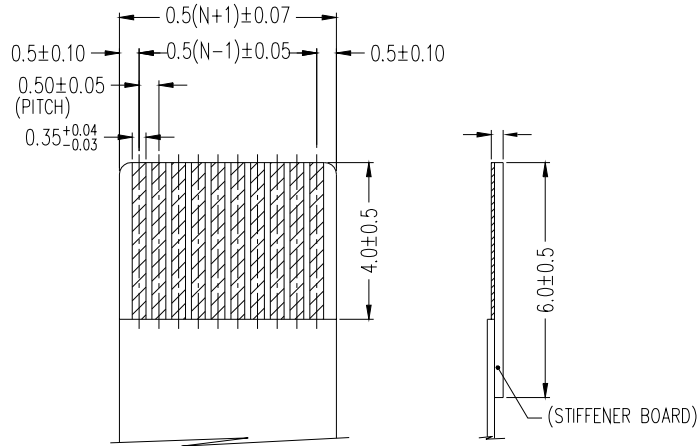
0.0	±0.35
0.00	±0.20
0.000	±0.XX

TITLE:
0.5mm ZIF FPC/FFC CONNECTOR
SIDE ENTRY UPPER CONTACT
SMT TYPE

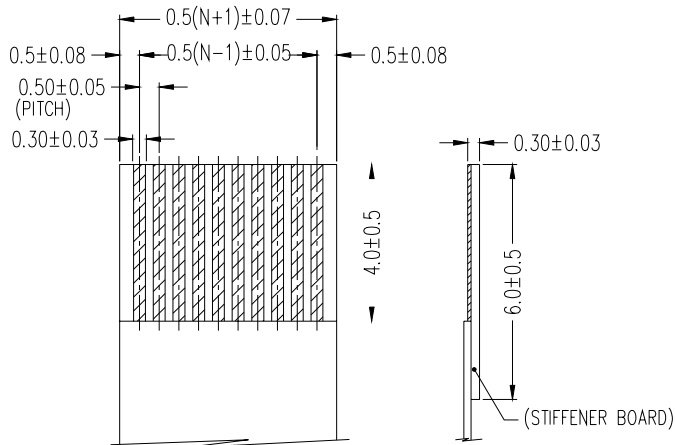
DWG NO.	SERIES	SHEET
NZ11001RE	NZ01	1/2
FILE PATH	REV.	
PD\NZ\NZ01\NZ11001RE	E	

-- Customer Drawing --

CUSTOMER DRAWING



APPLICABLE FPC
RECOMMENDED DIMENSION



APPLICABLE FFC
RECOMMENDED DIMENSION

DIM. TABLE



No. OF CONTACTS	A	B	C	D	E
4P	6.00	7.50	1.50	2.62	1.50
5P	6.50	8.00	2.00	3.12	2.00
6P	7.00	8.50	2.50	3.62	2.50
7P	7.50	9.00	3.00	4.12	3.00
8P	8.00	9.50	3.50	4.62	3.50
9P	8.50	10.00	4.00	5.12	4.00
10P	9.00	10.50	4.50	5.62	4.50
11P	9.50	11.00	5.00	6.12	5.00
12P	10.00	11.50	5.50	6.62	5.50
13P	10.50	12.00	6.00	7.12	6.00
14P	11.00	12.50	6.50	7.62	6.50
15P	11.50	13.00	7.00	8.12	7.00
16P	12.00	13.50	7.50	8.62	7.50
17P	12.50	14.00	8.00	9.12	8.00
18P	13.00	14.50	8.50	9.62	8.50
19P	13.50	15.00	9.00	10.12	9.00
20P	14.00	15.50	9.50	10.62	9.50
21P	14.50	16.00	10.00	11.12	10.00
22P	15.00	16.50	10.50	11.62	10.50
23P	15.50	17.00	11.00	12.12	11.00
24P	16.00	17.50	11.50	12.62	11.50
25P	16.50	18.00	12.00	13.12	12.00
26P	17.00	18.50	12.50	13.62	12.50
27P	17.50	19.00	13.00	14.12	13.00
28P	18.00	19.50	13.50	14.62	13.50
29P	18.50	20.00	14.00	15.12	14.00
30P	19.00	20.50	14.50	15.62	14.50
31P	19.50	21.00	15.00	16.12	15.00
32P	20.00	21.50	15.50	16.62	15.50
33P	20.50	22.00	16.00	17.12	16.00
34P	21.00	22.50	16.50	17.62	16.50
35P	21.50	23.00	17.00	18.12	17.00
36P	22.00	23.50	17.50	18.62	17.50
37P	22.50	24.00	18.00	19.12	18.00
38P	23.00	24.50	18.50	19.62	18.50
39P	23.50	25.00	19.00	20.12	19.00

 UNITS: MM	TOLERANCE (UNLESS SPECIFIED)
	0.0 ±0.35
	0.00 ±0.20
	0.000 ±0.XX

TITLE:	DWG NO.	SERIES	SHEET
0.5mm ZIF FPC/FFC CONNECTOR	NZ11001RE	NZ01	2/2
SIDE ENTRY UPPER CONTACT	FILE PATH	REV.	
SMT TYPE	PD\NZ\NZ01\NZ11001RE	E	