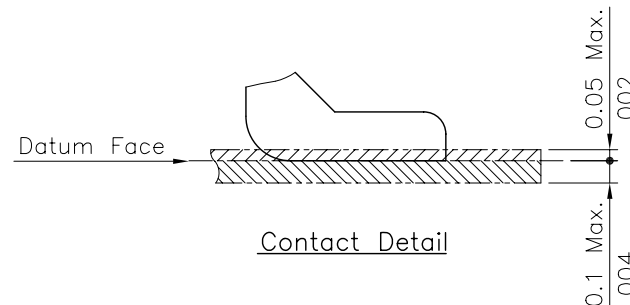


A = 0.50 * No. of Spaces
 B = A + 6.0
 C = A + 1.1

* Available in 4 through 50 circuits



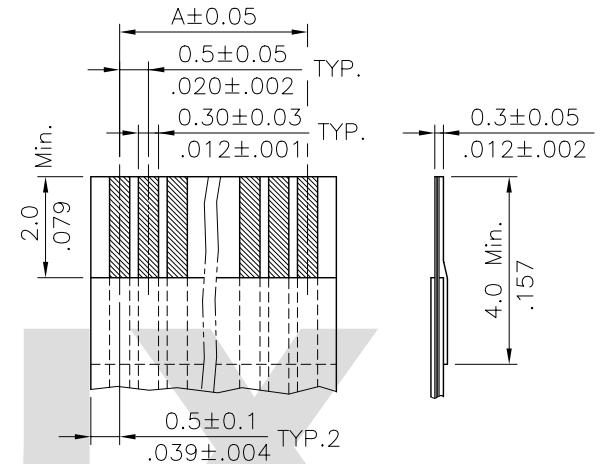
Material :

- * Body : Glass filled Polyamide UL 94V-0 Color Nature(Ivory)
- △ * Slider : Glass filled Polyamide UL 94V-0 Color Black
- * Contact : Copper alloy with Tin plated
- * Fixed tab : Copper alloy with Tin plated

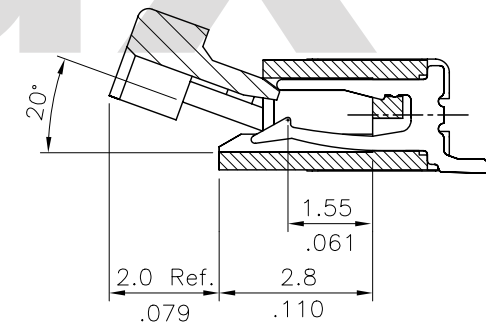
Ordering Code

CF20 ** 1 D 0 **
 ① ② ③ ④ ⑤ ⑥

- ① Series No.
- ② No. of Circuits
- ③ Plating code:
 1= 3.05μm(120μ") Min. Tin
 over 0.76μm(30μ") Nickel
- ④ Contact style: D= Downside contact
- ⑤ Color: 0= Nature
- ⑥ Other option: R0= Tape & Reel
 T0= Tube Packing



Accommodated FFC/FPC



SEC.: X-X'

RoHS Compliant

CVILUX CORP.
2005.02.02
ISSUED

④					DATE	UNIT: mm / inch	TITLE: 0.50mm(.031") ZIF FFC/FPC DOWNSIDE CONTACT SURFACE MOUNT CONNECTOR	瀚荃股份有限公司 CviLux Corporation
③						TOLERANCE UNLESS OTHERWISE SPECIFIED	MATERIAL:	
②	SUN	12/23/04'	ECR04064-1,ECR04069-1/ECN04462	DRAWN BY:	Sun	01/27-05'	.X ± 0.15/.006 X' ± 1'	DRAWING NO. CF2001SB PART NO. CF20**1D0T0 CF20**1D0R0
①	SUN	1/28/04'	ECN04041	ENGINEER:	Eisley	01/28-05'	.XX ± 0.10/.004 X' ±	
SYM	NAME	DATE	REVISIONS	CHECKED BY:	David	01/31-05'	.XXX ± 0.05/.002 X' ±	SCALE 7 / 1 SHEET 1 OF 1
				APPROVED BY:	Alex	01/31-05'		