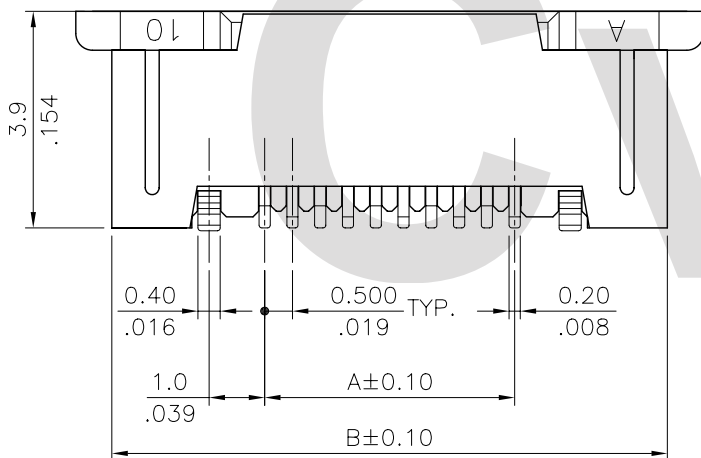
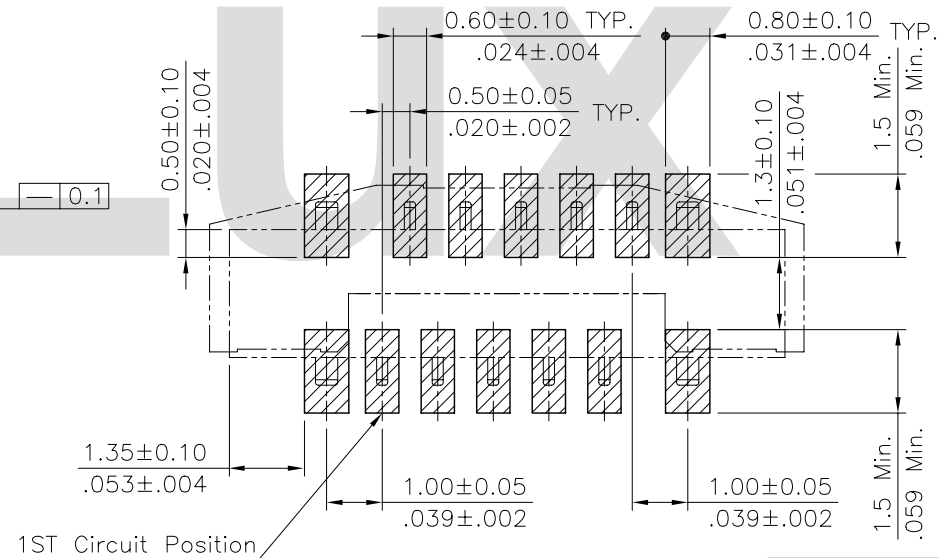
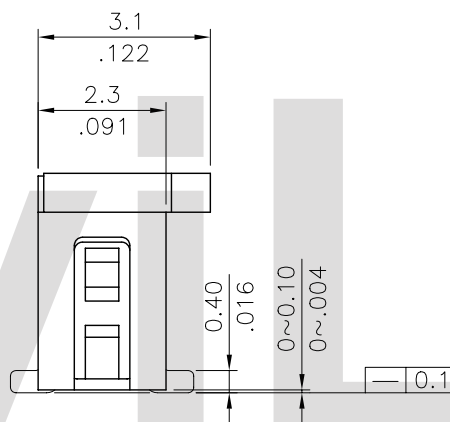


B-B SEC.



A = 0.50 x No. of Spaces
 B = A + 5.5
 C = A + 1.2
 D = A + 6.8

* Available in 4 through 50 circuits



Sold Pad Pattern

Material :

- * Body : NYLON 46 With 40% GF. UL 94V-0, Color Nature
- * Slider : NYLON 9T With 33% GF. UL 94V-0, Color Black
- * Contact : Phosphor Bronze, With Tin plated
- * Fixed tab : Brass, With Tin plated

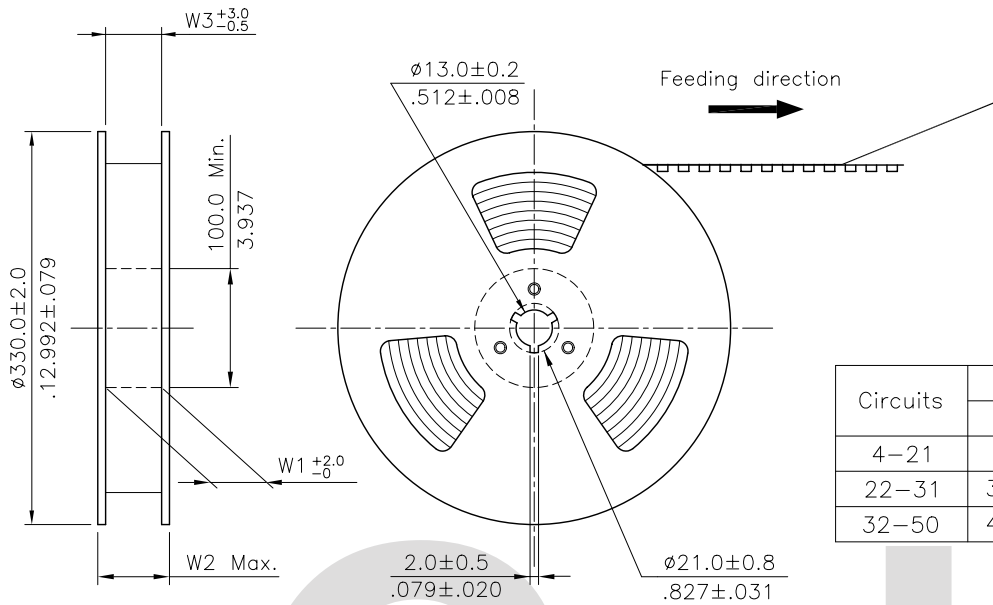
Ordering Code

CF20 50 1 V 0 R 0
 ① ② ③ ④ ⑤ ⑥ ⑦

- ① Series No.
- ② No. of Circuits
- ③ Plating code: 1 = 3.05μm(120μ") Min. Tin over 0.76μm(30μ") Nickel
- ④ Contact style: V= Vertical Type
- ⑤ Color: 0= Nature
- ⑥ Packing Type: R= Tape & Reel; T= Tube Packing
- ⑦ Other options: 0 = Standard

RoHS Compliant

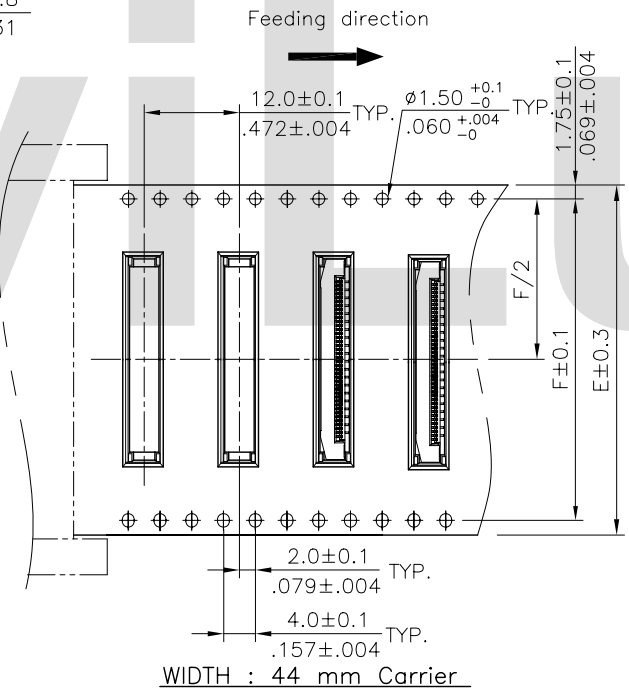
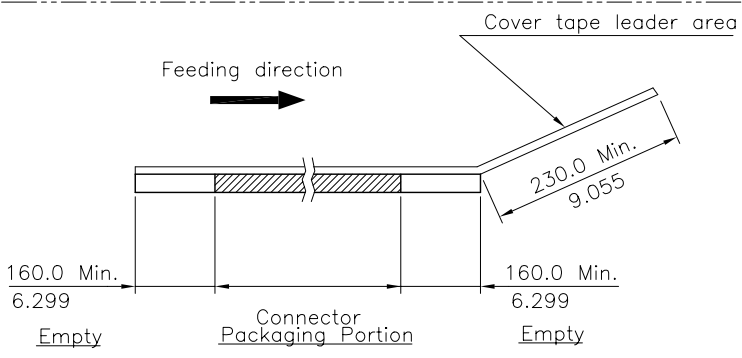
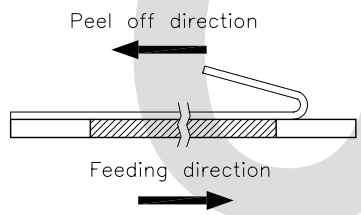
④				CIVILUX CORP.		DATE	UNIT: mm / inch	TITLE: 0.50mm(.031") ZIF FFC/FPC VERTICAL TYPE SURFACE MOUNT CONNECTOR	瀚荃股份有限公司 CviLux Corporation
③	Sandy	4/29-07'	ECN07153	2007.05.21	DRAWN BY: Sandy	4/29-07'	TOLERANCE UNLESS OTHERWISE SPECIFIED	MATERIAL:	
②	Sun	12/19/05	ECR05066-1/ECN05437	ISSUED	ENGINEER: Eisley	5/05-07'	.X ± 0.15/.006 X' ± 1'	FINISH:	DRAWING NO. CF2007SC PART NO. CF20**1V0*0
①	Sun	12/09/04	ECR04064-1,ECR04069-1/ECN04462		CHECKED BY: David	5/05-07'	.XX ± 0.10/.004 X' ±		SCALE 7 / 1 SHEET 1 OF 2
SYM	NAME	DATE	REVISIONS		APPROVED BY: Alex	5/05-07'	.XXX ± 0.05/.002 X' ±		



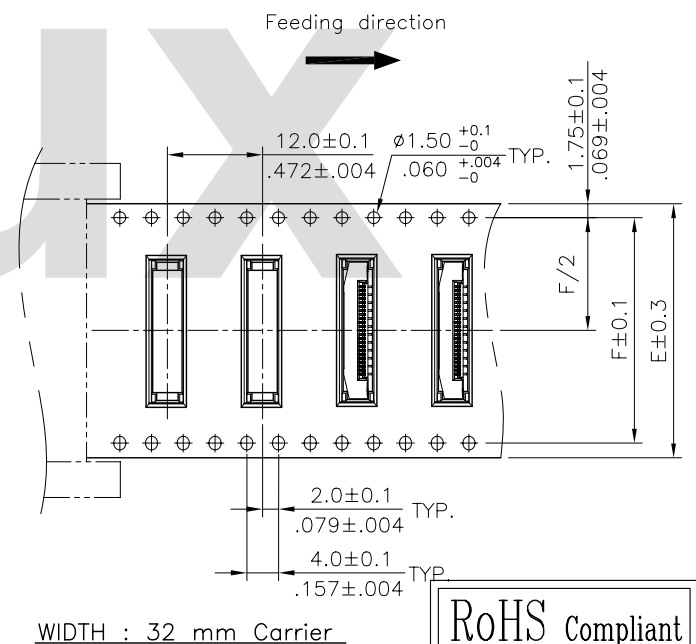
NOTE :

- * Reel Material : HIPS
- * Carrier Material : Clear, Conductive Polystyrene Alloy
- * Cover Tape Material : Polyester
- * Cover Tape Peel Strength : 0.1N – 1.3N
- * Carrier camber is within 1mm in 100mm
- * All dimensions meet EIA-481-2 & EIA-481-3 requirements.
- * Quantity : 1000 PCS/Reel

Circuits	Dimension					Packing (Reel/Caton)
	E	F	W1	W2	W3	
4-21	24.0(.945)	-	24.5(.965)	30.5(1.200)	24.5(.965)	9
22-31	32.0(1.260)	28.40(1.118)	32.5(1.280)	38.5(1.516)	32.5(1.280)	7
32-50	44.0(1.732)	40.40(1.596)	44.5(1.752)	50.5(1.988)	44.5(1.752)	5


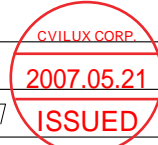


WIDTH : 44 mm Carrier



WIDTH : 32 mm Carrier

RoHS Compliant

4					DATE	UNIT: mm / inch	TITLE: 0.50mm(.031") ZIF FFC/FPC VERTICAL TYPE SURFACE MOUNT CONNECTOR	 瀚荃股份有限公司 CviLux Corporation
3	Sandy	4/29-07'	ECN07153		DRAWN BY: Sandy	4/29-07'	TOLERANCE UNLESS OTHERWISE SPECIFIED	
2	Sun	12/19/05	ECR05066-1/ECN05437		ENGINEER: Eisley	5/05-07'	MATERIAL:	PART NO. CF20**1V0*0
1	Sun	12/09/04	ECR04064-1,ECR04069-1/ECN04462		CHECKED BY: David	5/05-07'	FINISH:	SHEET 2 OF 2
SYM	NAME	DATE	REVISIONS		APPROVED BY: Alex	5/05-07'		