

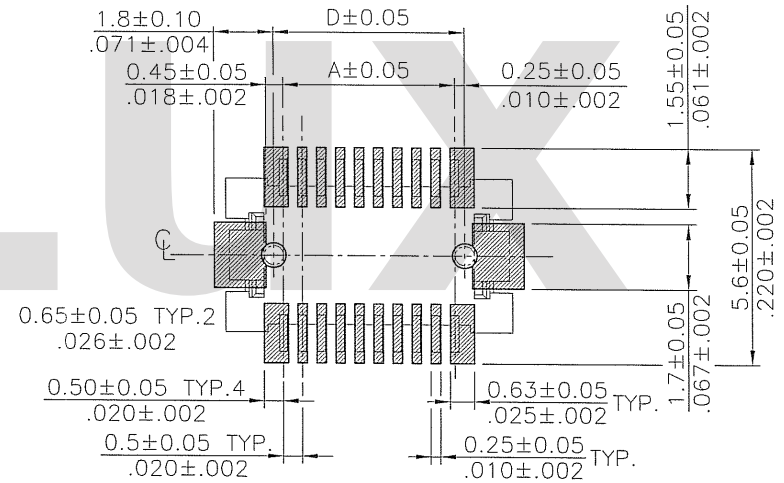
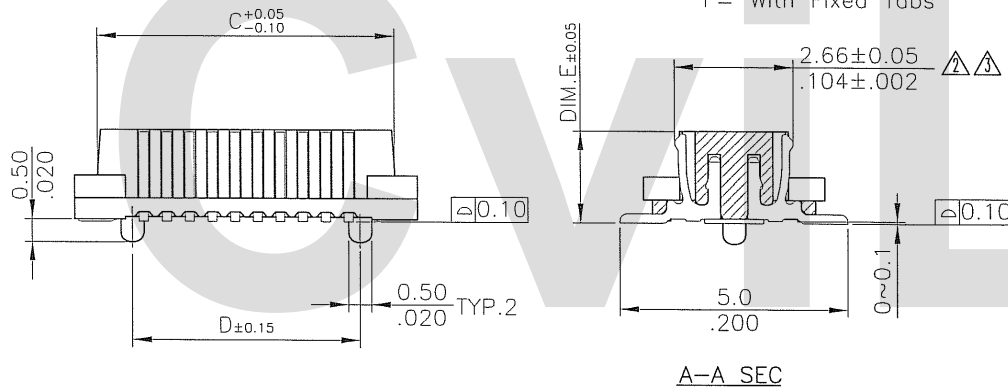
Ordering Code

CBRB 020 P A 2 F P1 R 0
 ① ② ③ ④ ⑤ ⑥ ⑦ ⑧ ⑨

- ① Series No.
- ② No. of Circuits
- ③ Connector Type: P= Plug
- ④ Height:
A: DIM.E= 2.0mm; C: DIM.E= 3.0mm
- ⑤ Plating code:
2= Gold flash over Nickel plated
- ⑥ Fixed Tab option:
0= Without Fixed Tabs
F= With Fixed Tabs

Material:
 * Insulation:
 Glass filled Polyamide UL 94V-0
 Color Black
 * Contact: Copper alloy, t=0.2mm
 * Fixed Tab: Brass, t=0.2mm

- ⑦ Pegs Option:
00= Without Pegs
P1= With Pegs
- ⑧ Packing Option:
R= Tape & Reel
- ⑨ Other option code:
0= Standard



Recommended P.C. Board Layout

DIM.A = 0.50 * No. of Spaces
 DIM.B = DIM.A + 3.0
 DIM.C = DIM.A + 2.0
 DIM.D = DIM.A + 0.5
 * Available in 10 through 60 circuits

RoHS Compliant

④	Ethan	12/19-05	ECN05441		DATE	UNIT: mm / inch	TITLE: 0.50mm(.002") Board To Board Plug Connector
③	Casey	5/10-05	ECN05138/ECR05036-0		12/22-05/	TOLERANCE UNLESS OTHERWISE SPECIFIED	
②	Eisley	5/03-05	ECN05153		12/22-05	.X ± 0.30/.012 X' ± 1'	
①	JASON	03/02-05	ECN05080		12/22-05	.XX ± 0.20/.008 X' ±	
SYM	NAME	DATE	REVISIONS		APPROVED BY:	.XXX ± 0.10/.004 .XX ±	

瀚荃股份有限公司
 CviLux Corporation

DRAWING NO.	CBRB02SD	PART NO.	CBRB***P*2***R0
SCALE	5 / 1	SHEET	1 OF 2



Male	 CBRB***PA*FP1R0	 CBRB***PA*FP1R0	 CBRB***PC*FP1R0	 CBRB***PC*FP1R0	 CBRB***PA*FP1R0	 CBRB***PC*FP1R0
Female	 CBRB***SA*FP1R0	 CBRB***SB*FP1R0		 CBRB***SC*FP1R0	 CBRB***SE*FP1R0	
Mating Height	 2.50	 3.00	 3.50	 4.00	 4.50	 5.00

RoHS Compliant

4	Ethan	12/19-05	ECN05441		DATE	UNIT: mm / inch	TITLE: 0.50mm(.002") Board To Board Plug Connector (For Mating height 2.5/3.0/3.5/ 4.0/4.5/5.0mm)	瀚荃股份有限公司 CviLux Corporation	
3	Casey	5/10-05	ECN05138/ECR05036-0		DRAWN BY: <i>Ethan</i>	12/2-05			TOLERANCE UNLESS OTHERWISE SPECIFIED
2	Eisley	5/03-05	ECN05153		ENGINEER: <i>Eisley</i>	12/205			.X ± 0.30/.012 X' ± 1"
1	JASON	03/02-05	ECN05080		CHECKED BY: <i>[Signature]</i>	12/205			.XX ± 0.20/.008 .X' ±
SYM	NAME	DATE	REVISIONS		APPROVED BY: <i>[Signature]</i>	12/205			.XXX ± 0.10/.004 .XX' ±
DRAWING NO. CBRB02SD PART NO. CBRB***P*2***R0								SCALE 6 / 1 SHEET 2 OF 2	