



●COMMODITY: Standard 1.0

Lead: $\phi 5$

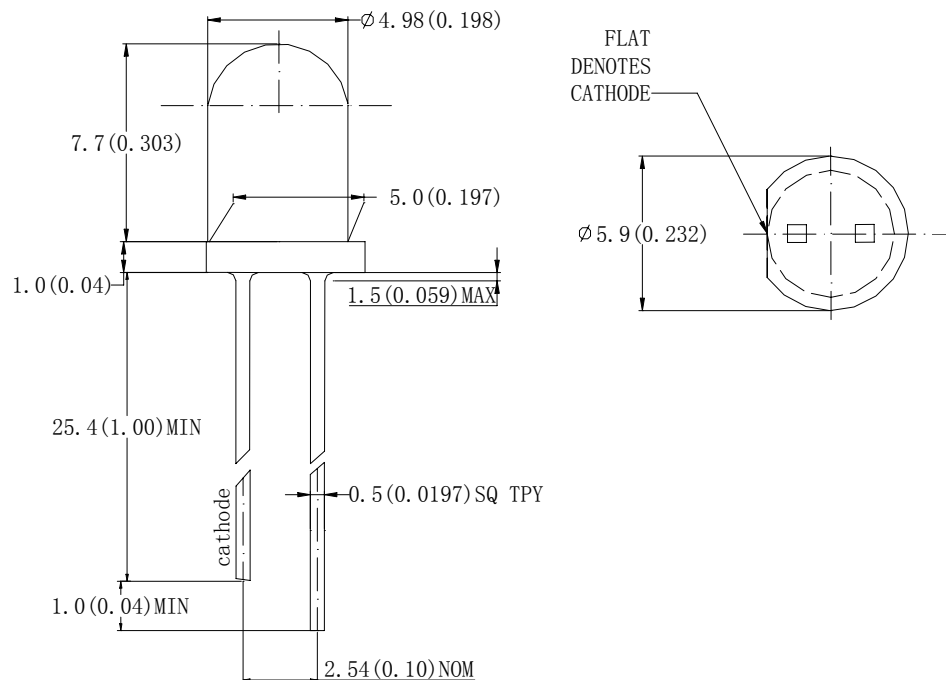
●DEVICE NUMBER: LED-5H4C-525

●ABSOLUTE MAXIMUM RATINGS (Ta=30°C)

Reverse Voltage	5v
Reverse Current (VR=5v)	$\leq 10\mu A$
Operating Temperature	-40°C~85°C
Storage Temperature	-40°C~100°C
Lead Soldering Temperature	260°C For (5 Seconds)
Power Dissipation	80mw
Operating time	50 000 hours

●ELECTRICAL AND OPTICAL CHARACTERISTICS (Ta=25°C)

Emitted Color	Chromaticity Coordinates (note4) At (20MA)		Lens Appearance	Absolute Maximum Rating			ELECTRO-OPTICAL DATE (At20MA)				Viewing Angle 2 θ 1/2 (deg)
	X	Y		Pd (mw)	IF (mA)	Peak IF(mA)	VF(v)		IV(mcd)		
							min	max	min	max	
White	0.25	0.29	Water Clear	80	20	150	3.0	3.4	4000	6000	45 \pm 10



NOTES:

1. All dimensions are in millimeters (inches)
2. Tolerance is $\pm 0.25\text{mm}(0.01)$ unless otherwise specified.
3. The products are sensitive to static electricity and care must be fully taken when handing products.
4. Lead spacing is measured where the leads emerge from the package.
5. Specifications are subject to change without notice