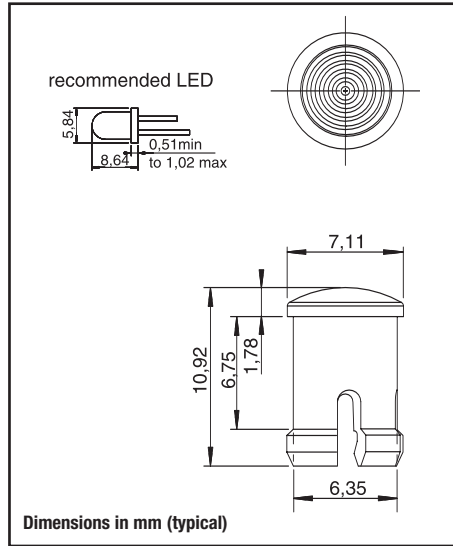





Material: PC Optics UL94 clear  
 Operating Temperature -60° +125°C  
 ESD Protection



## 5 mm round Clip Light

Code	Color
KPAN051A	Amber Transparent
KPAN051B	Blue Transparent
KPAN051C	Clear Transparent
KPAN051G	Green Transparent
KPAN051R	Red Transparent
KPAN051Y	Yellow Transparent

Hole panel: 6,35 mm   
 Panel Thickness: 0,8÷6,30 mm max  
 LEDs: 5 mm standard