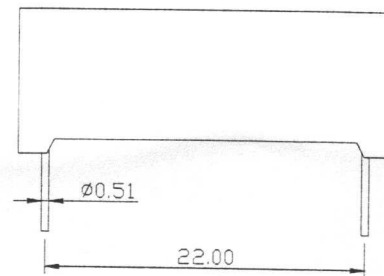
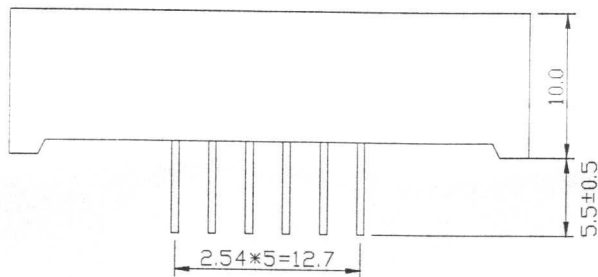
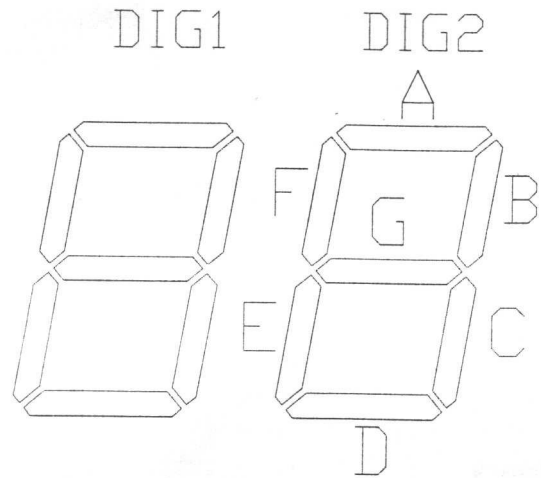
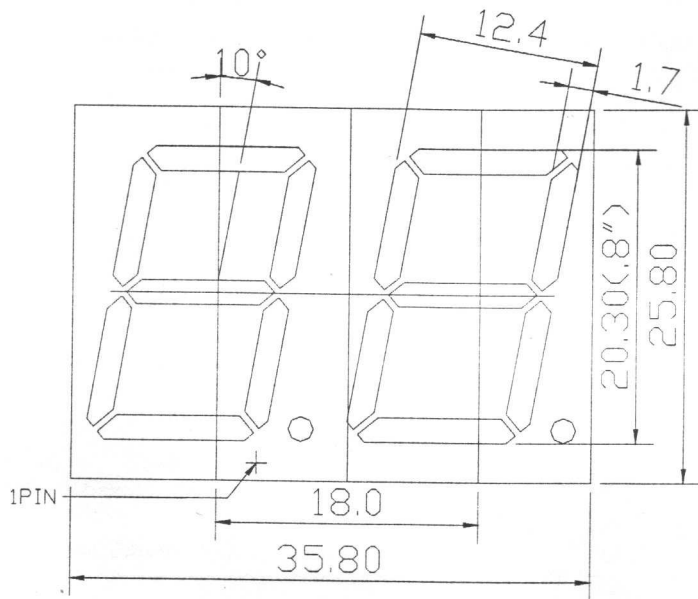


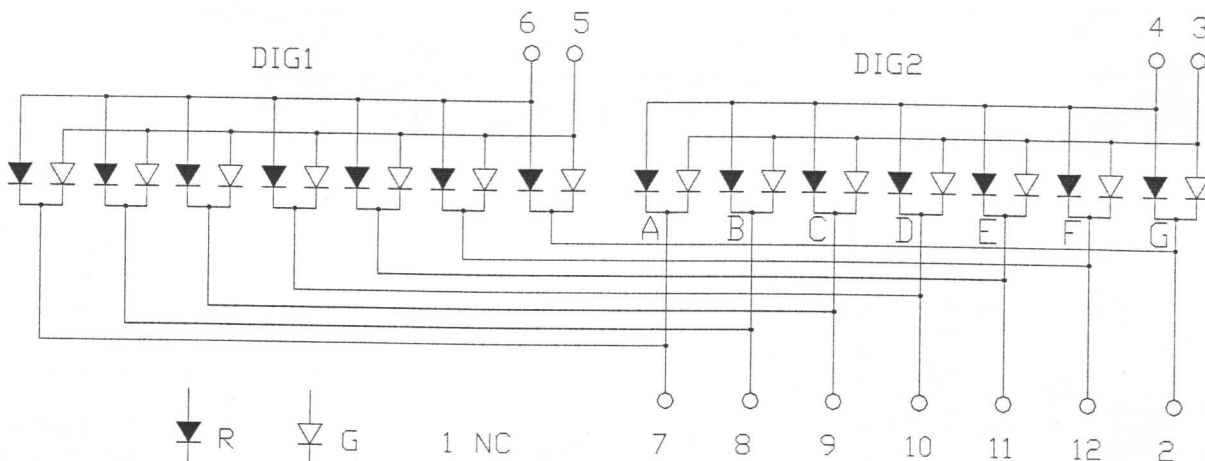
# JZS-8202ASRG

## PACKAGE DIMENSIONS

**MARITEX** Przedsiębiorstwo  
Handlowo-Produkcyjne  
*Leszek Losin*  
81-411 Goynia, ul. Kopernika 56  
tel. 622-89-00, fax 622-47-66  
NIP 586-001-59-89



## INTERNAL CIRCUIT DIAGRAM



### NOTES:

1. All Dimensions are in millimeters(inches).
2. Tolerance is  $\pm 0.25\text{mm}(0.01\text{inch})$  unless otherwise noted

## GENERAL INFORMATION

Part NO.	Chip Material	Emitting Color		Lens Type	Description
JZS-8202ASRG	GaP/GaAs	GREEN	RED	Diffused	Common Anode

## Electrical/Optical Characteristics at Ta=25 °C

Parameter	Symbol	Emitting Color	Typ.	Max.	Unit	Conditions
Luminous Intensity	Iv	GREEN	13.58	14.55	mcd	IF=20mA
		RED	11.97	14.79		
Peak Wavelength	λP	GREEN	571		nm	IF=20mA
		RED	643			
Dominant Wavelength	λD	GREEN	572		nm	IF=20mA
		RED	645			
Spectral Line Half-Width	Δλ	GREEN	—		nm	IF=20mA
		RED	—			
Forward Voltage	VF	GREEN	2.20	2.3	V	IF=20mA
		RED	1.83	1.95		
Reverse Current	IR	50		—	μA	VR=5V

## Absolute Maximum Ratings at Ta=25 °C

Parameter	Symbol	Maximum Rating	Unit
Power Dissipation	Pd	120	mW
Forward Current	IF	20	mA
Peak Forward Current(1)	IF(Peak)	35	mA
Reverse Voltage	VR	5	V
Operating Temperature	Topr	-40j º +80j º	
Storage Temperature	Tstg	-40j º +80j º	
Lead Solder Temperature(2)	Tsol	260j º for 5 seconds	

Notes:

1. 1/10 duty cycle, 0.1ms pulse width.
2. 2mm below package base.