

---

# LED DISPLAY

## LTS-050AGBW

# DATA SHEET

■ SPEC NO: ZBOE040306  
■ DESIGN NO:  
■ REV. NO: 02  
■ CUSTOMER:  
■ APPLICATION:  
■ EFFECTIVE: 20th.Jan.2005

<b>Approver</b>		<b>Checker</b>		<b>Engineer</b>	
-----------------	--	----------------	--	-----------------	--

## FEATURES

- 0.5inch(12.7mm)DIGIT HEIGHT
- CONTINUOUS UNIFORM SEGMENTS
- LOW POWER REQUIREMENT
- EXCELLENT CHARACTERS APPEARANCE
- HIGH BRIGHTNESS & HIGH CONTRANCE
- WIDE VIEWING ANGLE
- SOLID STATE RELIABILITY

## DESCRIPTION

The LTS-050AGBW1 is a 0.5 inch (12.7mm) height one digit seven-segment display.  
This device is one-color applicable display.  
This device uses Yellow Green LED Chips (GaP/GaP ).  
The Display has black face and white segments.

## DEVICE

PART NO.	DESCRIPTION
ONE-COLOR	Multiplex Common Anode
LTS-050AGBW	

■ Dice Material	GaP/GaP
■ Light Color	Yellow Green
■ Lens Color	Milky Diffusion
■ Surface Color	Black Ink

**ABSOLUTE MAXIMUM RATINGS ( Ta = 25C )**

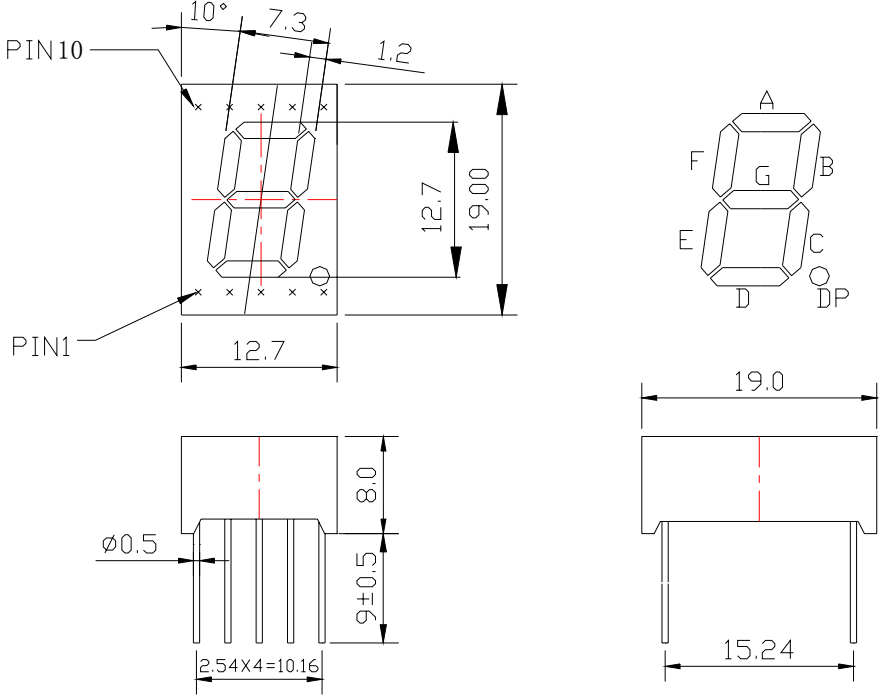
ITEM	PARAMETER	DICE TYPE	MAX.	UNIT
<b>P<sub>D</sub></b>	Power Dissipation / chip	Green	70	mW
<b>V<sub>R</sub></b>	Reverse Voltage / chip	Green	5	V
<b>I<sub>AF</sub></b>	Average Forward Current / chip	Green	25	mA
<b>I<sub>PF</sub></b>	Peak Forward Current (Duty=0.1,1KHZ) / chip	Green	90	mA
-	Derating Linear From 25C	Green	0.33	mA/C
<b>T<sub>OPR</sub></b>	Operating Temperature Range	-20 C to + 85 C		
<b>T<sub>STG</sub></b>	Storage Temperature Range	-20 C to + 85 C		

■ Lead Soldering Temperature(1.6 mm ( 0.063 inch ) From Body )260 C For 5 Seconds

**ELECTRO-OPTICAL CHARACTERISTICS/CHIP ( Ta = 25C)**

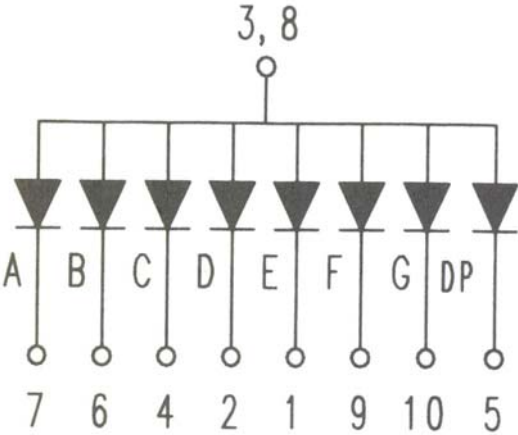
ITEM	PARAMETER	TEST CONDITION	DICE TYPE	MIN.	TYP.	MAX.	UNIT
<b>V<sub>F</sub></b>	Forward Voltage	<b>I<sub>F</sub> = 20mA</b>	Green	2.0	2.2	2.5	V
<b>I<sub>R</sub></b>	Reverse Current	<b>V<sub>R</sub> = 5V</b>	Green			100	uA
<b>λ<sub>D</sub></b>	Dominant Wave Length	<b>I<sub>F</sub> = 20mA</b>	Green		570		nm
<b>Δλ</b>	Spectral Half-Width	<b>I<sub>F</sub> = 20mA</b>	Green		30		nm
<b>I<sub>V</sub></b>	Luminous Intensity	<b>I<sub>F</sub> = 10mA</b>	Green	3.0	4.5	6.8	mcd

# PACKAGE DIMENSIONS



■ NOTES: All dimensions are in millimeters. Tolerances are 0.25mm.

# INTERNAL CIRCUIT DIAGRAM



■ THE SIGN  $\blacktriangledown$  IS STANDARD FOR GREEN CHIP