
LED DISPLAY

LTS-056ABW

DATA SHEET

FEATURES

- 0.56inch(14.2mm)DIGIT HEIGHT
- CONTINUOUS UNIFORM SEGMENTS
- LOW POWER REQUIREMENT
- EXCELLENT CHARACTERS APPEARANCE
- HIGH BRIGHTNESS & HIGH CONTRANCE
- WIDE VIEWING ANGLE
- SOLID STATE RELIABILITY

DESCRIPTION

The LTS-056ABBW is a 0.56 inch (14.2mm) digit height oneth digit seven-segment display.
This device is one-color applicable display.
This device uses Super Bright Blue LED Chips (InGaN).
The Display has black face and white segments.

DEVICE

PART NO.	DESCRIPTION
ONE-COLOR	
LTS-056ABBW	Multiplex Common Anode

■ Dice Material	InGaN Super Bright Blue
■ Light Color	Super Bright Blue
■ Lens Color	Milky Diffusion
■ Surface Color	Black Ink

ABSOLUTE MAXIMUM RATINGS (Ta = 25C)

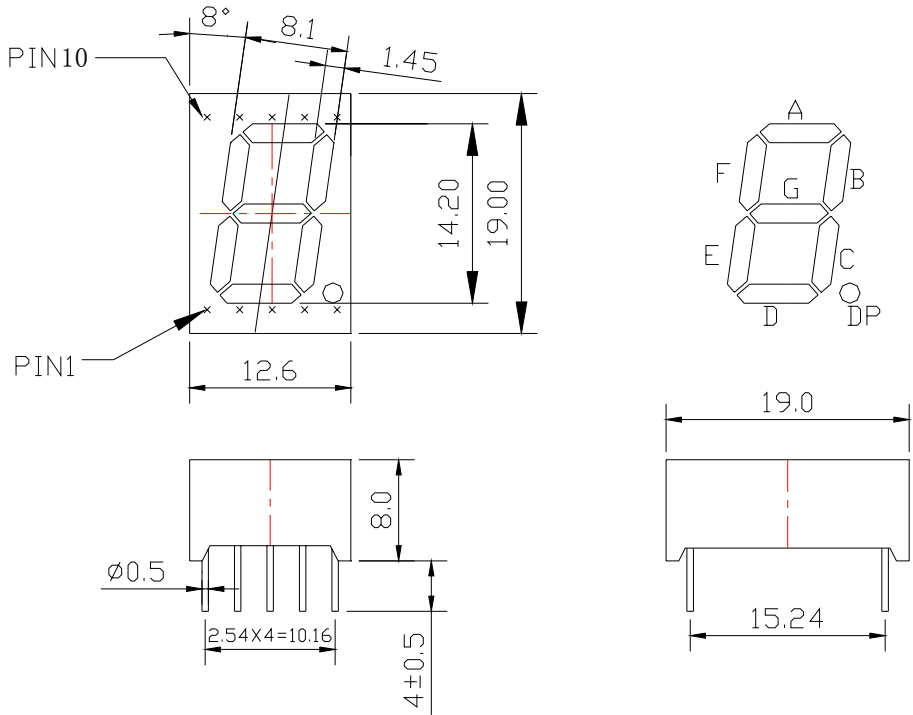
ITEM	PARAMETER	DICE TYPE	MAX.	UNIT
P_D	Power Dissipation / chip	Blue	90	mW
V_R	Reverse Voltage / chip	Blue	5	V
I_{AF}	Average Forward Current / chip	Blue	25	mA
I_{PF}	Peak Forward Current (Duty=0.1,1KHz) / chip	Blue	90	mA
-	Derating Linear From 25C	Blue	0.40	mA/C
T_{OPR}	Operating Temperature Range	-20 C to + 85 C		
T_{STG}	Storage Temperature Range	-20 C to + 85 C		

■ Lead Soldering Temperature(1.6 mm (0.063 inch) From Body)260 C For 5 Seconds

ELECTRO-OPTICAL CHARACTERISTICS/CHIP (Ta = 25C)

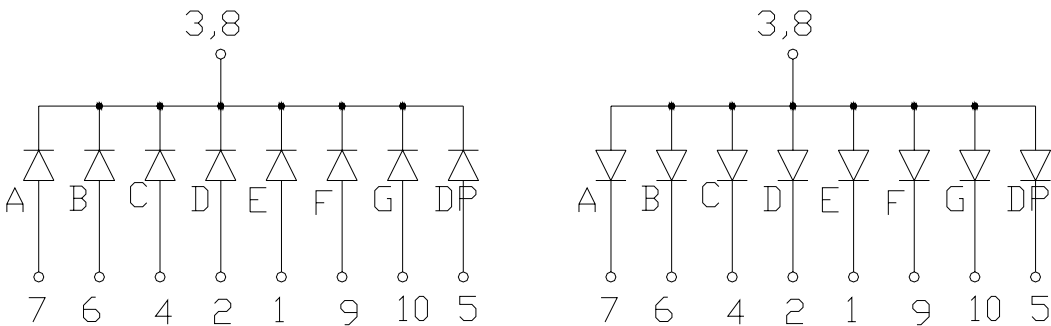
ITEM	PARAMETER	TEST CONDITION	DICE TYPE	MIN.	TYP.	MAX.	UNIT
V_F	Forward Voltage	I_F = 20mA	Blue		3.2	3.8	V
I_R	Reverse Current	V_R = 5V	Blue			100	uA
λ_D	Dominant Wave length	I_F = 20mA	Blue		475		nm
Δ λ	Spectral Half-Width	I_F = 20mA	Blue		15		nm
I_V	Luminous Intensity	I_F = 10mA	Blue	5.0	7.5	12.0	mcd

PACKAGE DIMENSIONS



■ NOTES: All dimensions are in millimeters. Tolerances are ± 0.25 mm.

INTERNAL CIRCUIT DIAGRAM



LTS-056CBBW

LTS-056ABBW

■ THE SIGN ∇ IS STANDARD FOR BLUE CHIP