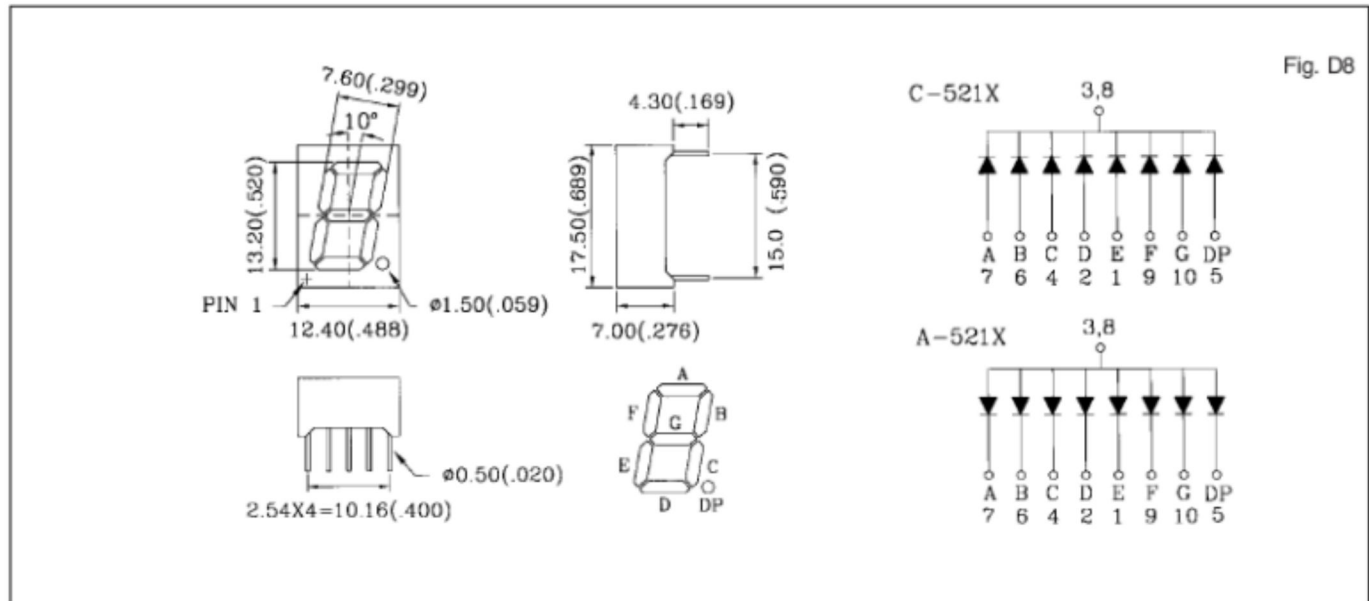


Shape	Part No.		Chip		Wave Length $\lambda$ p(nm)	Electro-Optical Characteristics			Fig.No.
	Common Cathode	Common Anode	Raw Material	Emitted Color		Vf(V)20mA		Iv(ucd)10mA	
						Typ.	Max.	Typ.	
	C-521H	A-521H	GaP	Red	700	2.3	2.8	650	D8
	C-521E	A-521E	GaAsP/GaP	Hi.effi Red	635	2.1	2.8	2000	
	C-521G	A-521G	GaP	Green	565	2.1	2.8	2000	
	C-521Y	A-521Y	GaAsP/GaP	Yellow	585	2.1	2.8	1600	
	C-521SR	A-521SR	GaAlAs	Super Red	660	1.8	2.2	21000	



1. All dimension are in millimeters (inches).
2. Tolerance is  $\pm 0.25$  mm (0.01") unless otherwise specified.