



## DOCUMENT NUMBER AND REVISION

**FS-PCA-TJ056A01-01 REV. A**

DOCUMENT TITLE:

**SPECIFICATION****OF****DRIVER BOARD**

CUSTOMER	
MODEL NUMBER	<b>PCA-TJ056A01-01</b>
CUSTOMER APPROVAL	
DATE	

DEPARTMENT	NAME	SIGNATURE	DATE
PREPARED BY	ZHU LING JUN		
CHECKED BY	CHEN ZHI WEI		
APPROVED BY	WANG ZHAO CAI		

JAN/2007

PAGE 2 OF 6

**DOCUMENT REVISION HISTORY 1:**

DOCUMENT REVISION FROM TO	DATE	DESCRIPTION	CHANGED BY	CHECKED BY
A	2007.01.26	First Release.	ZHU LING JUN	CHEN ZHI WEI



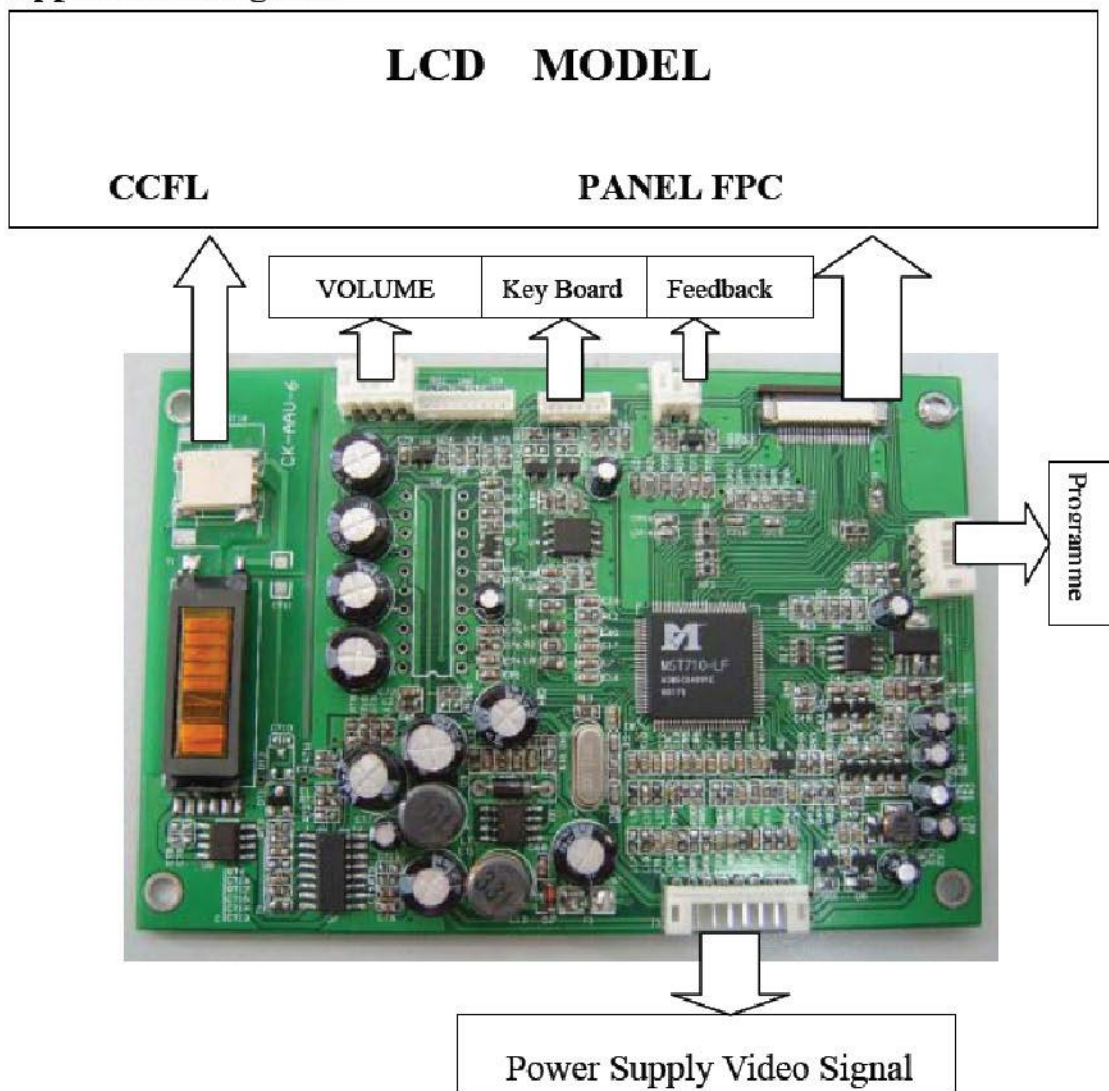
### A. Overview:

The PCA-TJ056A01-01 is designed for 56" analog TFT-LCD modules. PCA-TJ056A01-01 is a highly integrated analog LCD drive board. It accepts 2 channels CVBS and volume signal .It supply 2W+2W volume output.

### B. Features:

- Single power supply +9V~+15V
- Support 960\*234 resolutions
- Support OSD and IR functions
- unique image manipulation
- small size and thin thickness

### C. Application diagram:





### D. Power Consumption

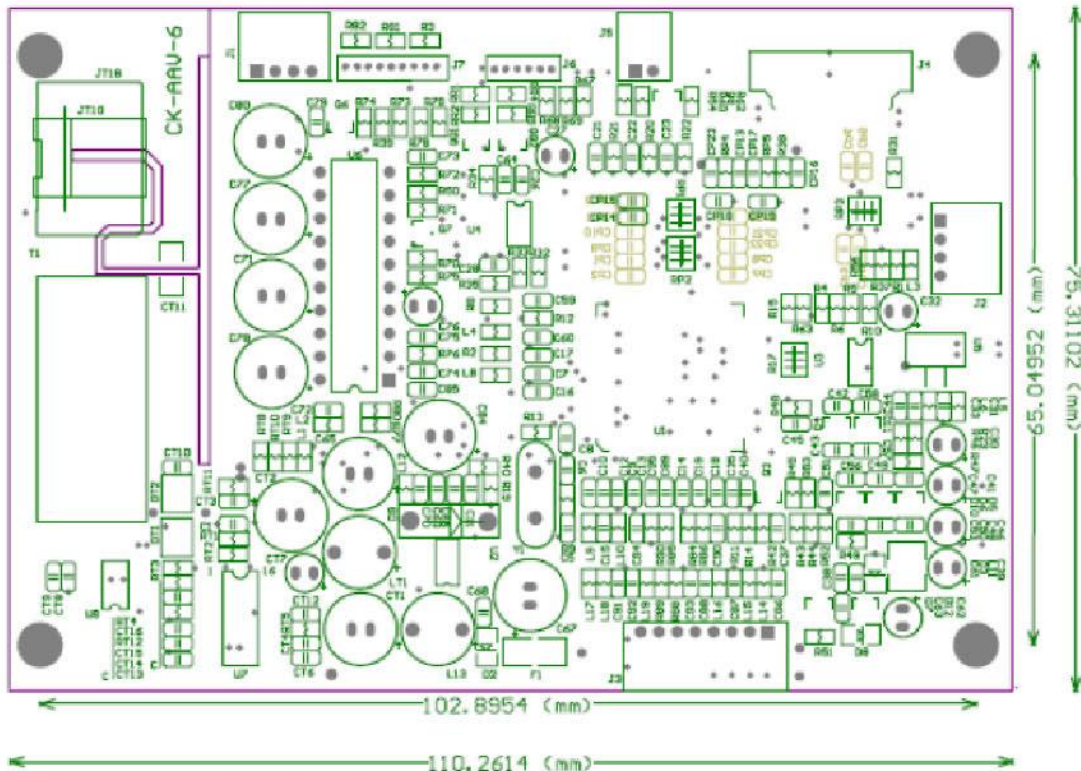
Condition	Current for V in ( $\pm$ ( $\pm 10\%$ ))			Unit
	Min	Typ	Max	
V <sub>in</sub> =9v		520		mA
V <sub>in</sub> =10v		460		mA
V <sub>in</sub> =11v		420		mA
V <sub>in</sub> =12v		380		mA
V <sub>in</sub> =13v		360		mA
V <sub>in</sub> =14v		340		mA
V <sub>in</sub> =15v		320		mA

### E. OSD Function

Complete OSD and IR Function (NEC CODE), could be modified to meet different requirements of customers.

### F. Outline Drawing

- Size:110.3mm\*75.3mm
- Thickness:9mm





### G. Connector interface Description:

ConnectorNO.	ConnectorDescription	Pin Description	
J4	POWER AUDIO CVBS Interface	1	CVBS2
		2	GND
		3	R_audio in
		4	L_audio in
		5	GND
		6	CVBS1
		7	GND
		8	POWER
J6	KEY Board Interface	1	VCC5V
		2	GND
		3	IR
		4	KEYSAR
		5	LED_R
		6	LED_G
J5	FeedBack Signal	1	12V
		2	GND
J2	Programme Interface	1	VCC5V
		2	GND
		3	SDA_RX
		4	SCL_TX
J1	AUDIO_OUT Interface	1	L2_out
		2	GND
		3	GND
		4	R2_out
J4	FPC Interface	1~26	TJ056A01-01
JT10、JT18	CCFL Interface	2	



## H: Appendix:

### 1. TJ056A01-01 FPC interface Description:

Pin no	Symbol	I/O	Description	Remark
1	GND	-	Ground for logic circuit	
2	V <sub>CC</sub>	I	Supply voltage of logic control circuit for scan driver	
3	V <sub>GL</sub>	I	Negative power for scan driver	
4	V <sub>GH</sub>	I	Positive power for scan driver	
5	STVR	I/O	Vertical start pulse	Note 1
6	STVL	I/O	Vertical start pulse	Note 1
7	CKV	I	Shift clock input for scan driver	
8	U/D	I	UP/DOWN scan control input	Note 1,2
9	OEV	I	Output enable input for scan driver	
10	VCOM	I	Common electrode driving signal	
11	VCOM	I	Common electrode driving signal	
12	L/R	I	LEFT/RIGHT scan control input	Note 1,2
13	MOD	I	Sequential sampling and simultaneous sampling setting	Note 3
14	OEH	I	Output enable input for data driver	
15	STHL	I/O	Start pulse for horizontal scan line	Note 1
16	STHR	I/O	Start pulse for horizontal scan line	Note 1
17	CPH3	I	Sampling and shifting clock pulse for data driver	
18	CPH2	I	Sampling and shifting clock pulse for data driver	
19	CPH1	I	Sampling and shifting clock pulse for data driver	
20	V <sub>CC</sub>	I	Supply voltage of logic control circuit for data driver	
21	GND	-	Ground for logic circuit	
22	VR	I	Alternated video signal input(Red)	
23	VG	I	Alternated video signal input(Green)	
24	VB	I	Alternated video signal input(Blue)	
25	AV <sub>DD</sub>	I	Supply voltage for analog circuit	
26	AV <sub>SS</sub>	-	Ground for analog circuit	

“Shenzhen Jinghua Displays CO.,LTD. reserves the right to change this specification.”

- END -