

**TG240128A-05**

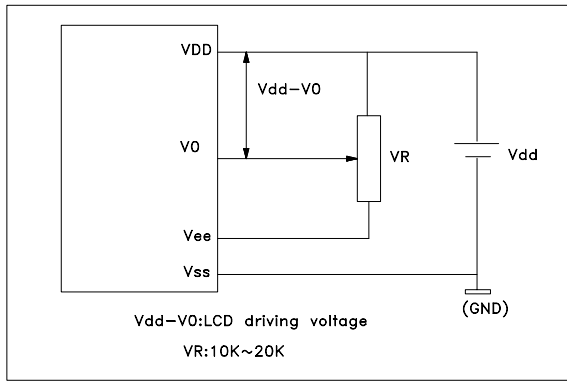
■ Series

Display Format	240 X 128 DOTS
Drive Method	1/128 Duty 1/12 Bias
LCD Type	STN Yellow-Green
LED Backlight	Yellow-Green
Viewing Direction	6:00
Operating Temperature	-20+70 C

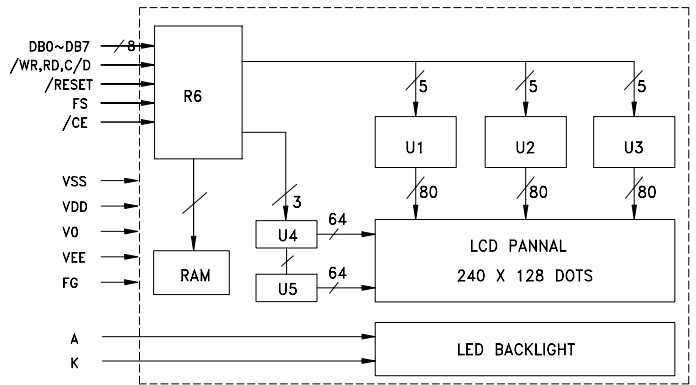
■ Electrical Characteristics

ITEM	Symbol	Condition	Standard value			UNIT
			Min.	Typ.	Max.	
Supply Voltage For Logic	$V_{DD}-V_{SS}$	--	4.75	5.0	5.25	V
Supply Voltage For LCD	$V_{DD}-V_0$	--	15.9	16.1	16.3	V
Input High Voltage	$V_{IH}$	--	$0.7V_{DD}$	--	$V_{DD}$	V
Input Low Voltage	$V_{IL}$	--	0	--	$0.3V_{DD}$	V
Supply Current for Logic	$I_{DD}$	--	--	15.0	--	mA
Supply Current for LCD	$I_{EE}$	--	--	2.0	--	mA
With B/L	$I_{LED}$	$V_{LED}=5.0V$	--	720	1440	mA

■ Power supply



■ Block Diagram



■ EXTERNAL DIMENSIONS AND DISPLAY PATTERN

