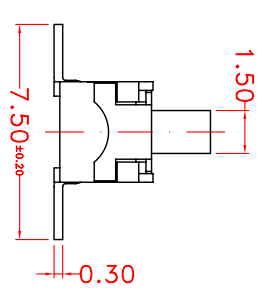
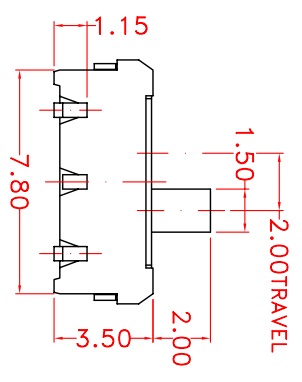
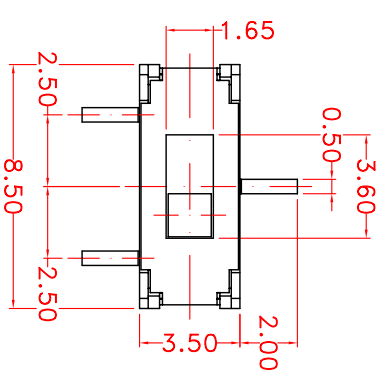
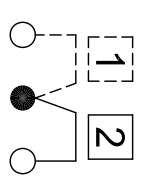


PIERCING PLAN



SCHEMATIC



5	HOUSING COVER	1	Sus-301	DE-GREASING
4	SPRING CONTACT	1	PBSR-EH	Ag CLAD
3	TERMINAL	3	BRASS	Ag PLATED
2	SLIDER	1	PA66+G.F.	BLACK COLOR
1	HOUSING	1	PPS	NATURAL COLOR
No.	PARTS	QTY.	MATERIAL	TREATMENT



THE 3rd ANGLE PROJECTION

ALL DIMENSIONS TOLERANCE ARE IN ABOVE, UNLESS OTHERWISE SPECIFIED.



SUN RISE COMPONENT LIMITED

SCALE : 5.0:1.0 DESIGN BY : So Chung Choi 28-FEB-2000 DESCRIPTION : MINIATURE VERTICAL SLIDE SWITCH

UNIT : MILLIMETER (mm) DRAWN BY : So Chung Choi 09-AUG-2011 MODEL NO. : SS12N39F02-2500

TOLERANCE : ± 0.20 CHECKED BY : CAD FILE : C:\SWITCH DRAWING\SS12N39F02-2500

ANGLE TOL. : 0° 30' APPROVED BY : DRAWING FILE : D2K11090