



DIPS-S




DIPS-P

## SPECIFICATIONS

???? Mechanical life	2000 operations per switch
??? Operation Force	<9.8N max.
??? Stroke	2.0mm
??? Operation Temp	-20 to 70
??? Electrical life	2000 operations per switch-24 VDC , 25mA
??? Contact Resistance	50mΩ max. at initial
???????? Non-Switching Rating	100mA , 50VDC
????? Switching Rating	25mA , 24VDC
? ? Circuit	Single pole single throw

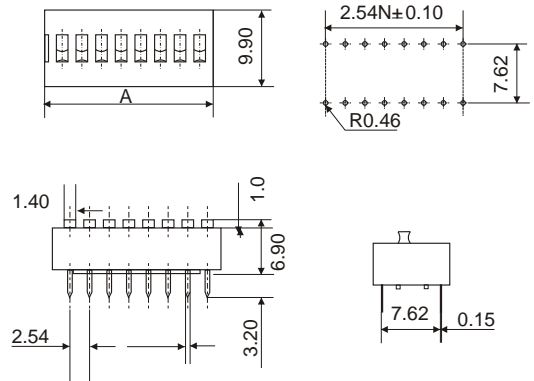
MODEL NO.	NO. POS	A
DS01	1	4.10
DS02	2	6.64
DS03	3	9.18
DS04	4	11.72
DS05	5	14.26
DS06	6	16.80
DS07	7	19.34
DS08	8	21.88
DS09	9	24.42
DS10	10	26.96
DS12	12	32.04

Schematic(TYP.)




(1,2,3,4,5,6,7,8,9,10,12, POS AVAIL)

DIPS-S

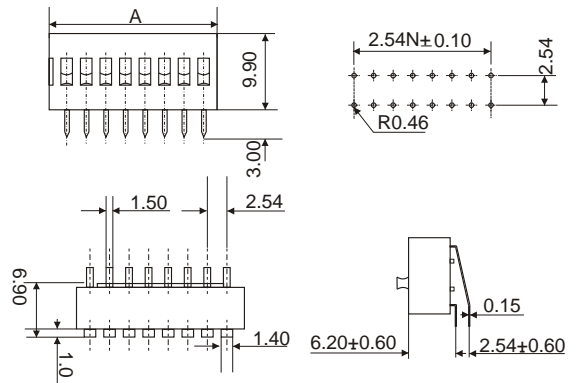


MODEL NO.	NO. POS	A
DA01	1	4.10
DA02	2	6.64
DA03	3	9.18
DA04	4	11.72
DA05	5	14.26
DA06	6	16.80
DA07	7	19.34
DA08	8	21.88
DA09	9	24.42
DA10	10	26.96
DA12	12	32.04

Schematic(TYP.)



(1,2,3,4,5,6,7,8,9,10,12, POS AVAIL)



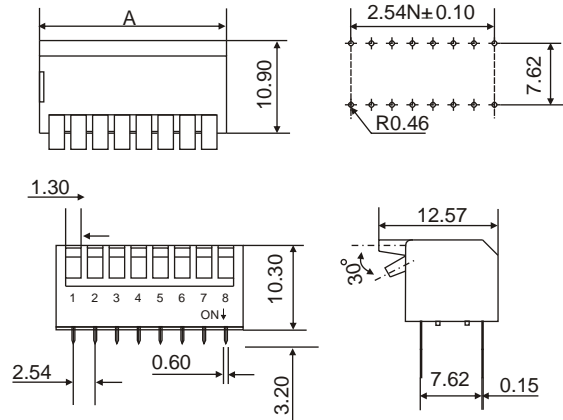


MODEL NO.	NO. POS	A
DP02	2	6.64
DP03	3	9.18
DP04	4	11.72
DP05	5	14.26
DP06	6	16.80
DP07	7	19.34
DP08	8	21.88
DP09	9	24.42
DP10	10	26.96
DP12	12	32.04

Schematic(TYP.)

(2,3,4,5,6,7,8,9,10,12, POS AVAIL)

DIPS-P



## ■ HOW TO ORDER



Number Of Positions:

- 01=1Positions
- 02=2Positions
- 03=3Positions
- 04=4Positions
- 05=5Positions
- 06=6Positions
- 07=7Positions
- 08=8Positions
- 09=9Positions
- 10=10Positions
- 12=12Positions

- DS=Side Type Switch
- DA=Right Angle Type Dip Switch
- DP=Piano Type Dip Switch

**NOTE: ALL DIMENSIONS SHOWN IN THIS CATALOG ARE IN UNITS OF MILLIMETERS.**  
 ? ? : ? ? ? ? ? ? ? ? ? ? ? ? .