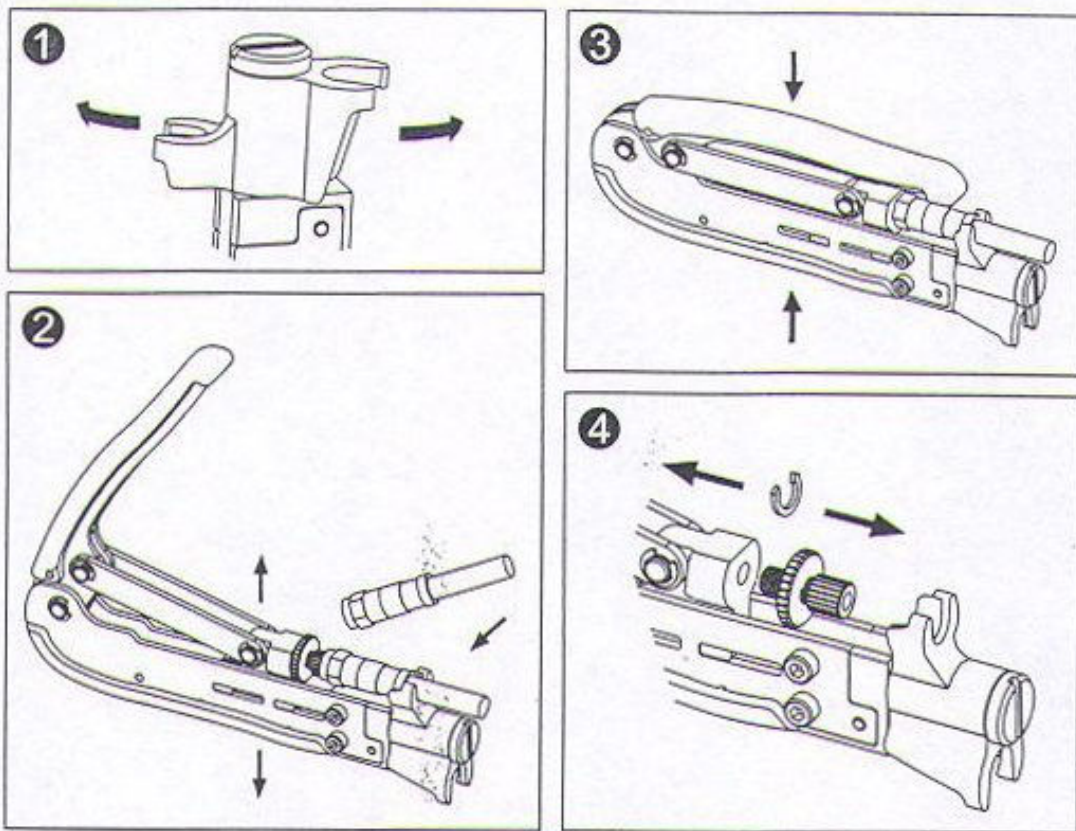


For use on RG59, RG6 & RG11  
F Compression connector



Instructions:

1. Use the correct head for the connector. The head can be rotated.
2. Open the handles, and then insert the connector with cable into the holder.
3. Squeeze the handles.
4. Adjust the adjusting screw to suit different length of connectors. (HT-H548A3 w/o adjust)